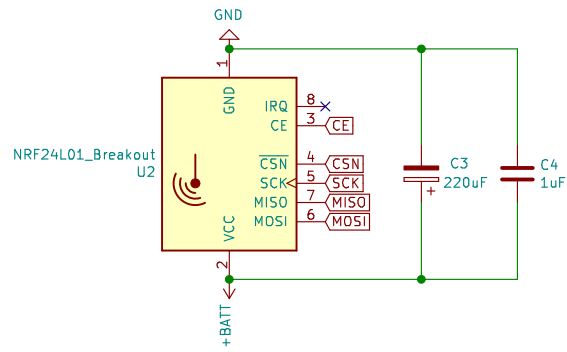
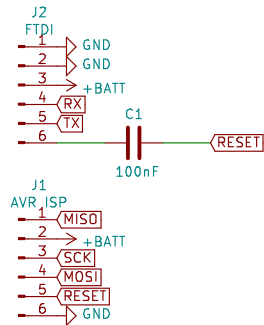


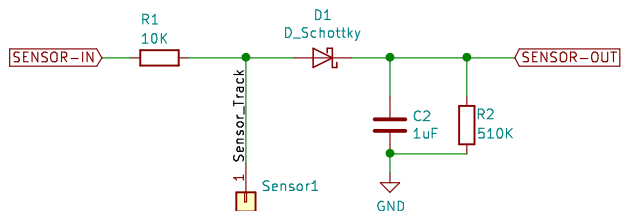
Radio Communication



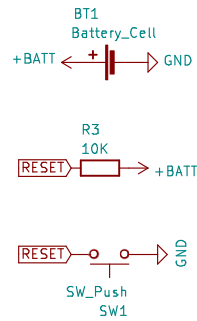
Pin Headers



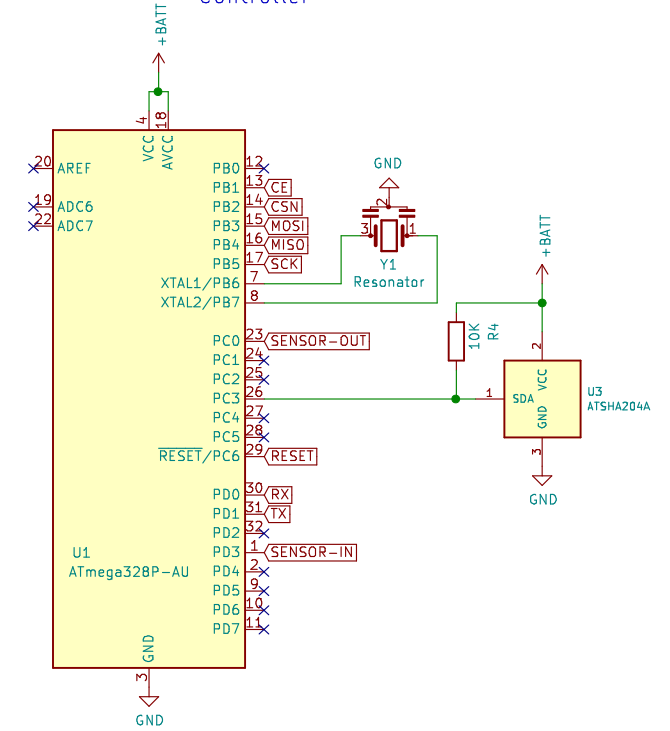
Capacitive Sensor



Power and Reset



Controller



Philipp Oberdiek

Sheet: /
File: soil-moisture-sensor.sch

Title: Capacitive Soil Moisture Sensor

Size: A4 Date: 2020-07-30
KiCad E.D.A. kicad 5.1.5+dfsg1-2build2

Rev: 1.0
Id: 1/1