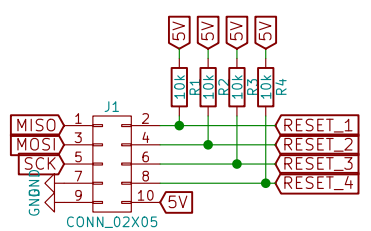
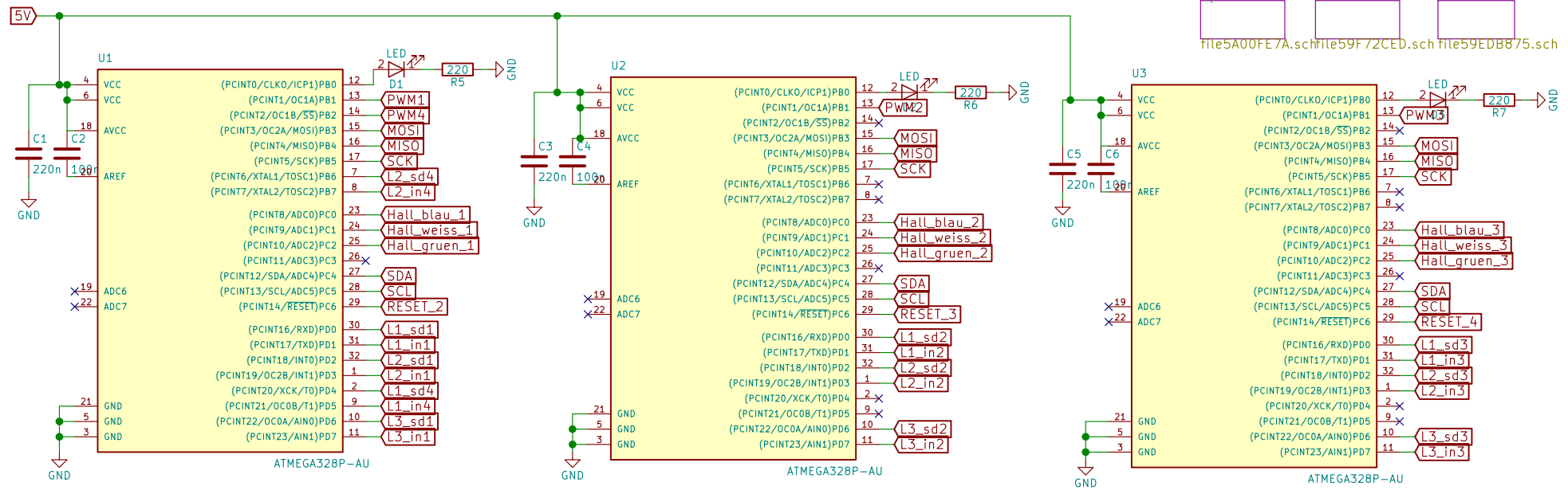
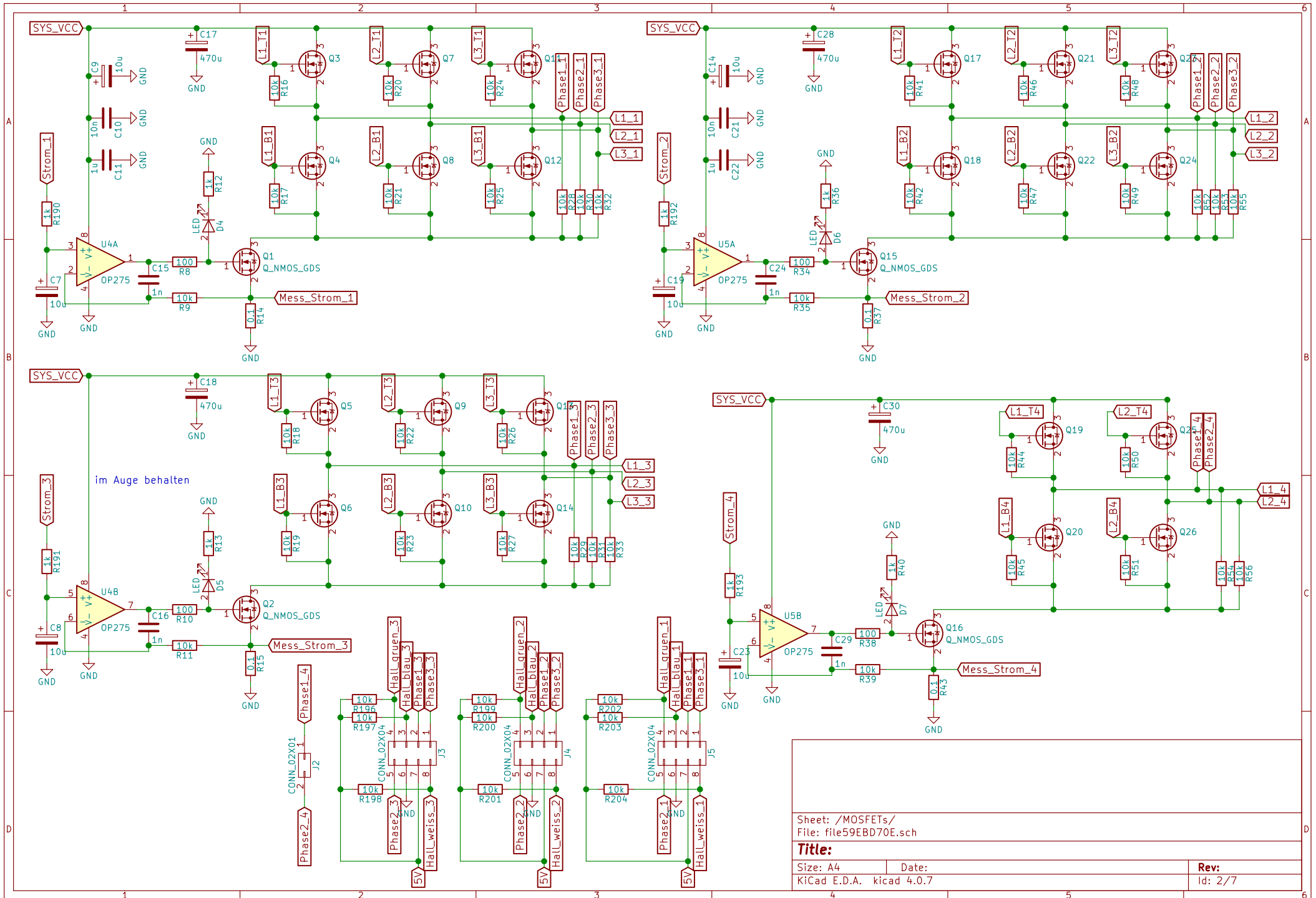


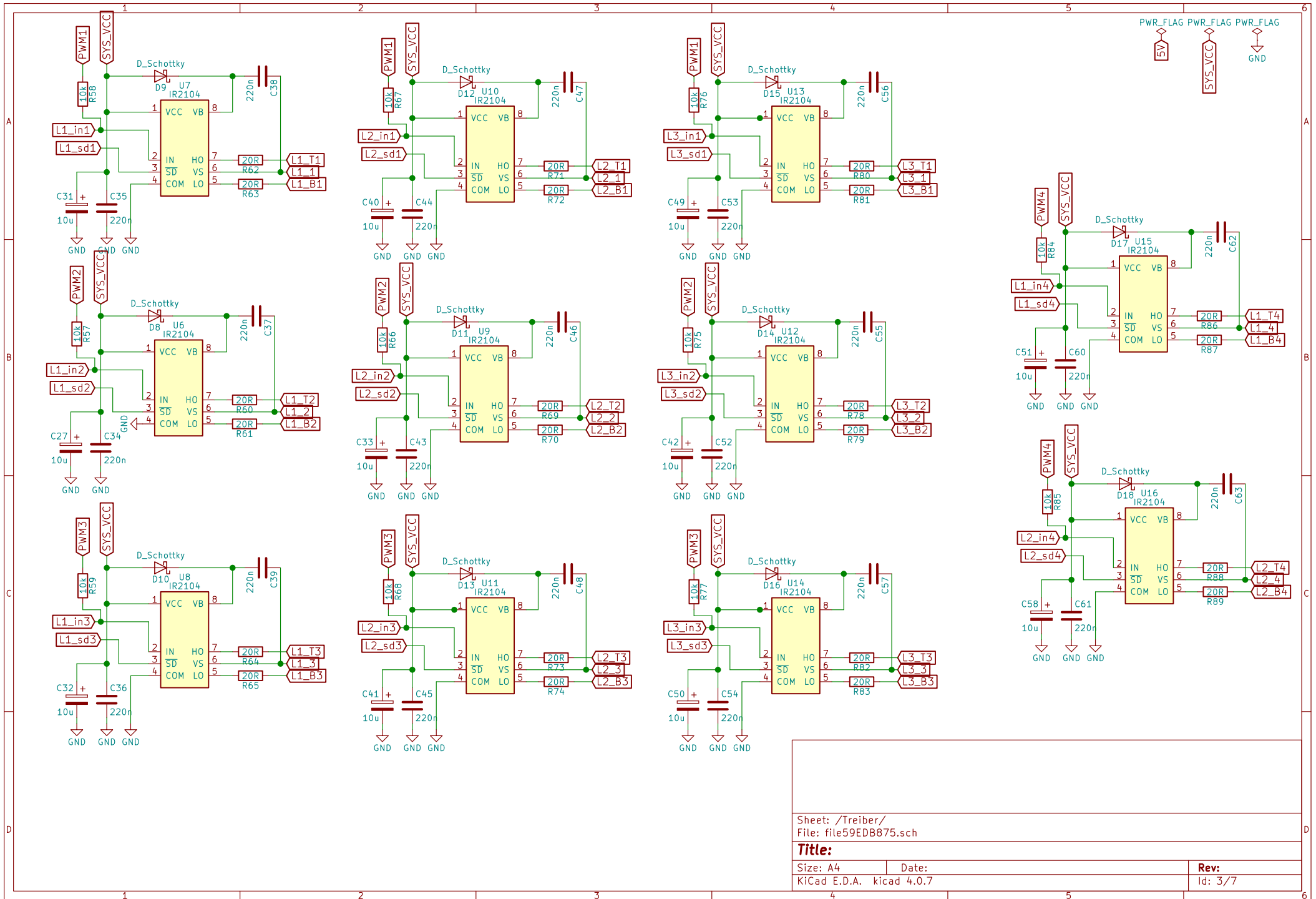
Spannungsversorgung: [Atmega2560](#) MOSFETs  
[file59F72D50.sch](#) [file59F05F4A.sch](#) [file59E70E.sch](#)  
 SpulenverstaerkeAkku Treiber  
[file5A00FE7A.sch](#) [file59F72CED.sch](#) [file59E7B875.sch](#)



Sheet: /		Date:	
File: V_1.0.sch		Rev:	
Size: A4	KiCad E.D.A.	kicad 4.0.7	Id: 1/7



Sheet: /MOSFETs/  
 File: file59EBD70E.sch  
**Title:**  
 Size: A4 Date:  
 KiCad E.D.A. kicad 4.0.7  
 Rev:  
 Id: 2/7

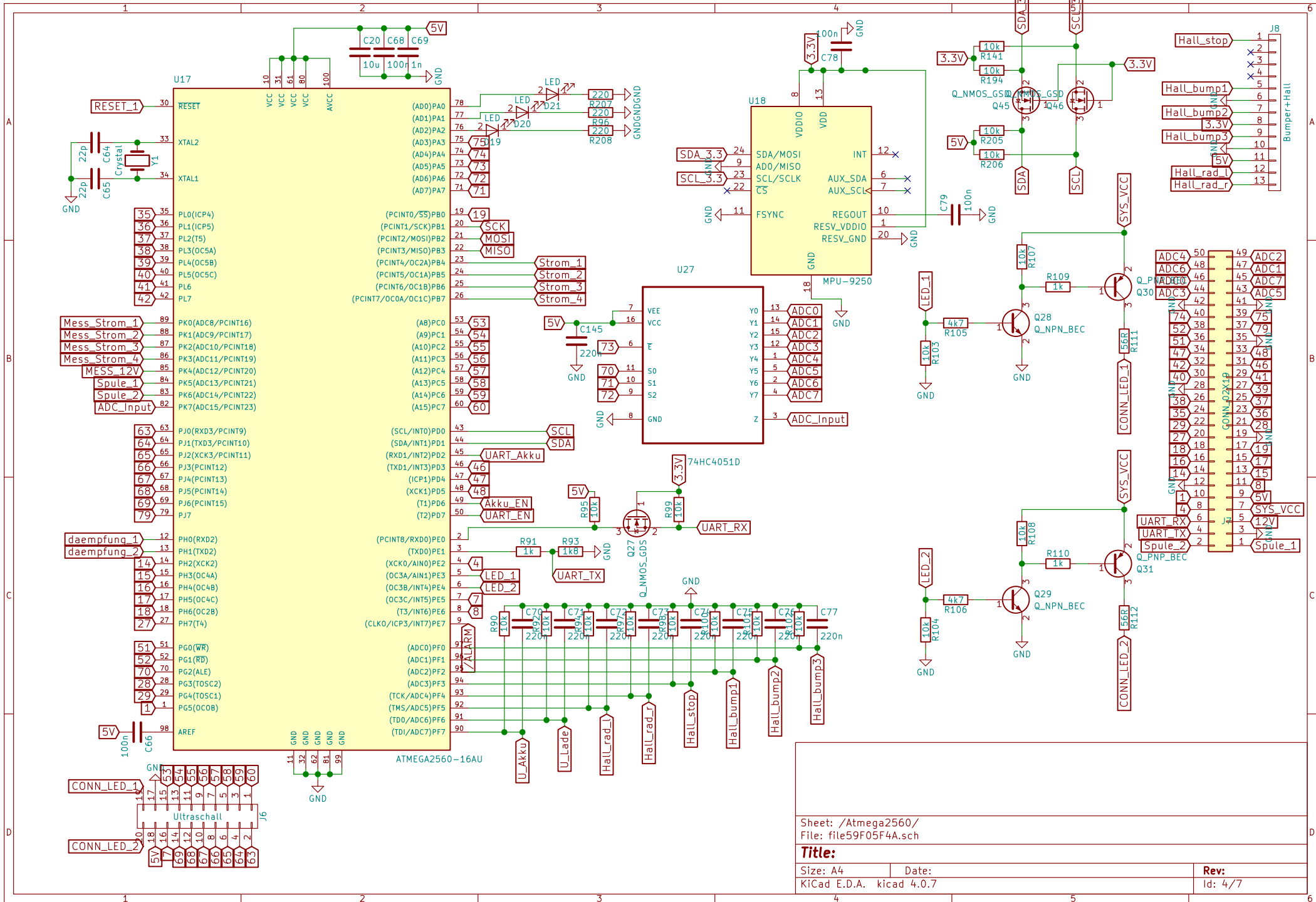


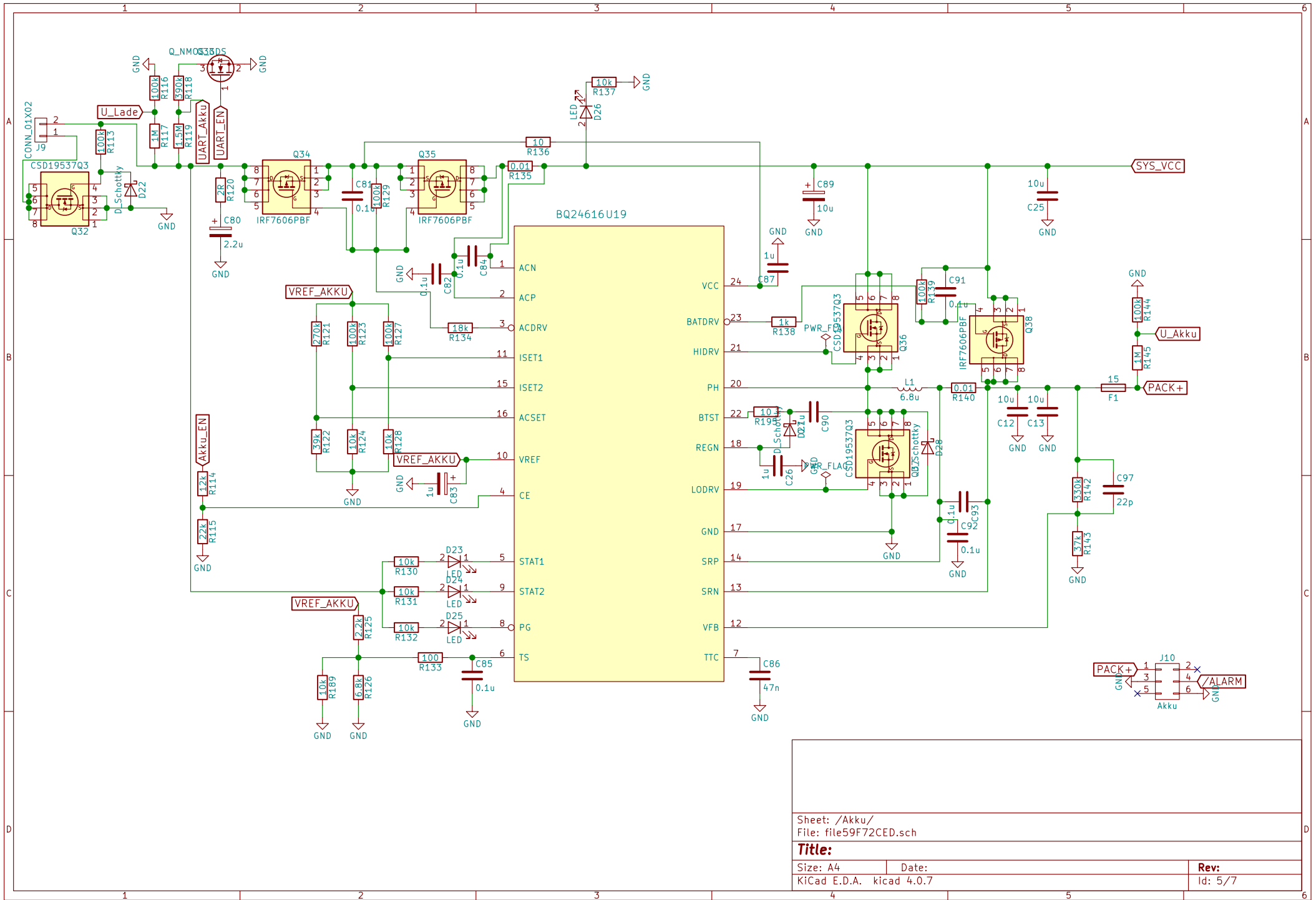
Sheet: /Treiber/  
 File: file59EDB875.sch

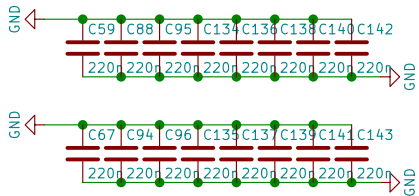
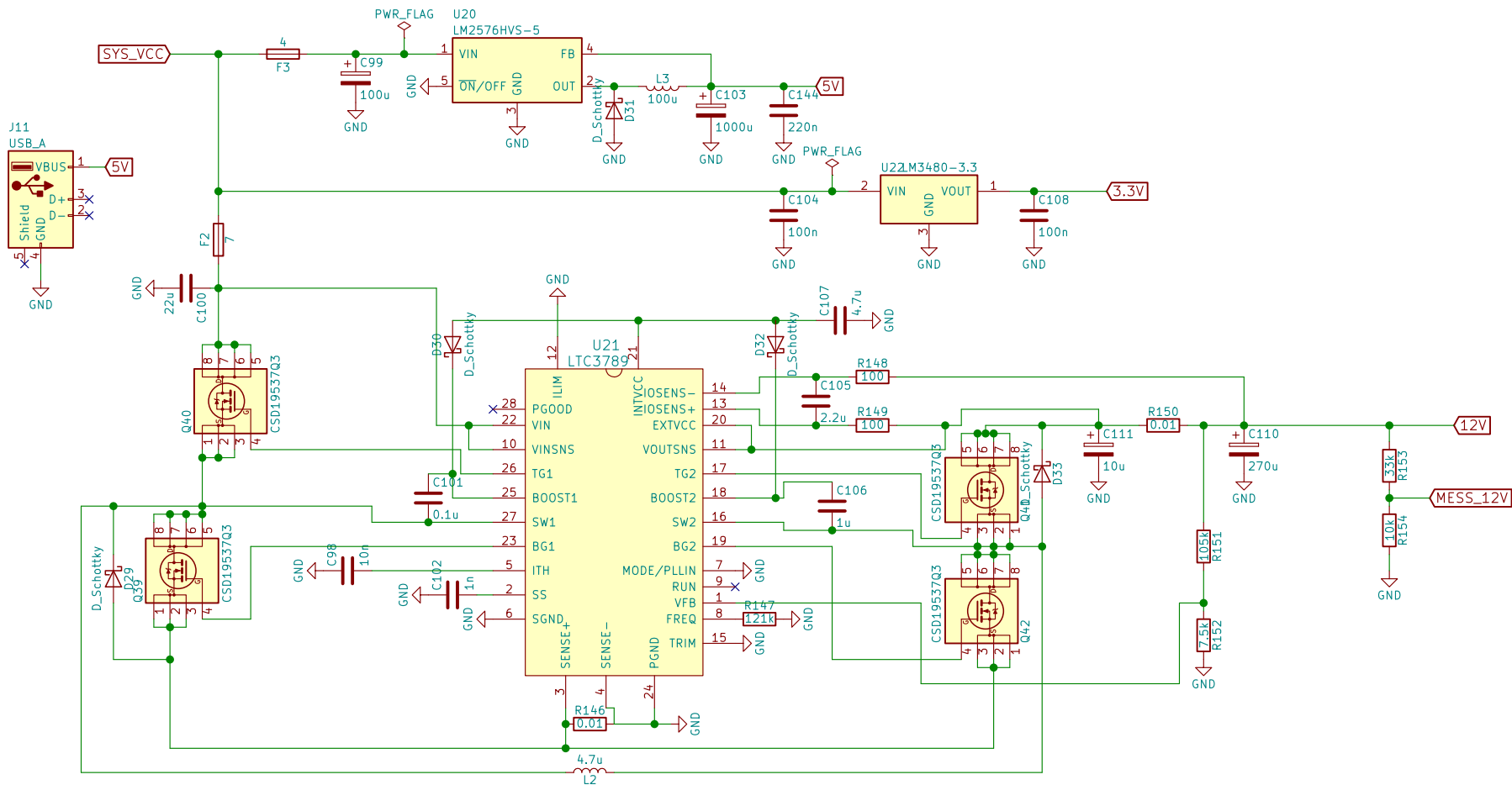
**Title:**

Size: A4 Date:  
 KiCad E.D.A. kicad 4.0.7

**Rev:**  
 Id: 3/7







Sheet: /Spannungsversorgung/  
 File: file59F72D50.sch

**Title:**

Size: A4  
 KiCad E.D.A. kicad 4.0.7

Date:

**Rev:**  
 Id: 6/7

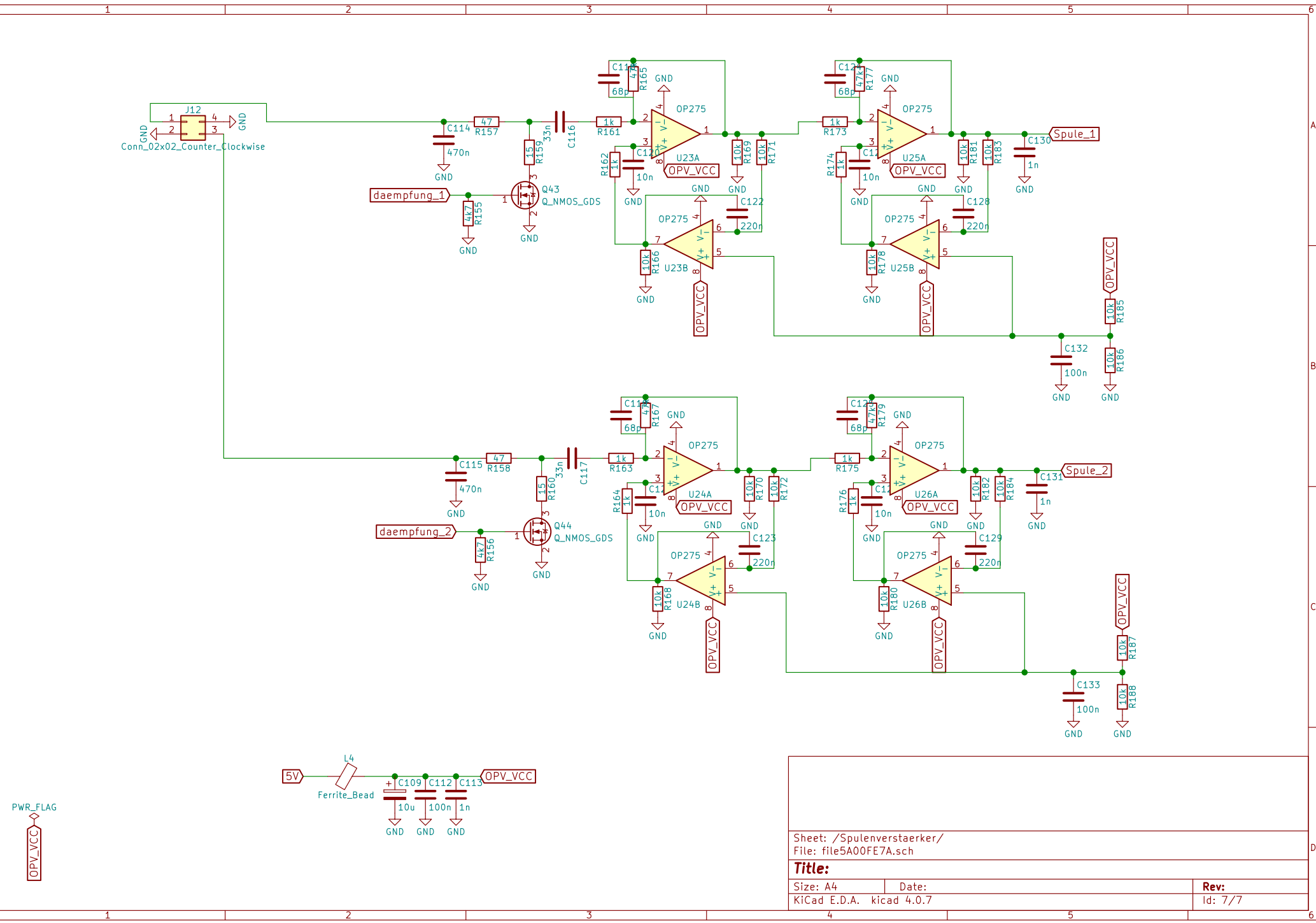
J12  
Conn\_02x02\_Counter\_Clockwise

daempfung\_1  
Q43  
Q\_NMOS\_GDS

daempfung\_2  
Q44  
Q\_NMOS\_GDS

5V  
L4  
Ferrite\_Bead  
C109  
C112  
C113  
OPV\_VCC

PWR\_FLAG  
OPV\_VCC



Sheet: /Spulenverstaerker/  
File: file5A00FE7A.sch

<b>Title:</b>	
Size: A4	Date:
KiCad E.D.A. kicad 4.0.7	Rev:
	Id: 7/7