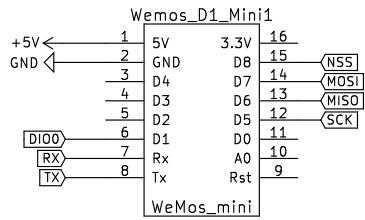
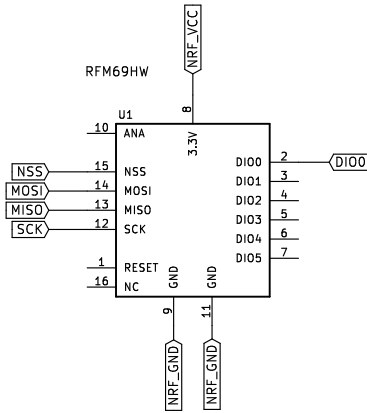


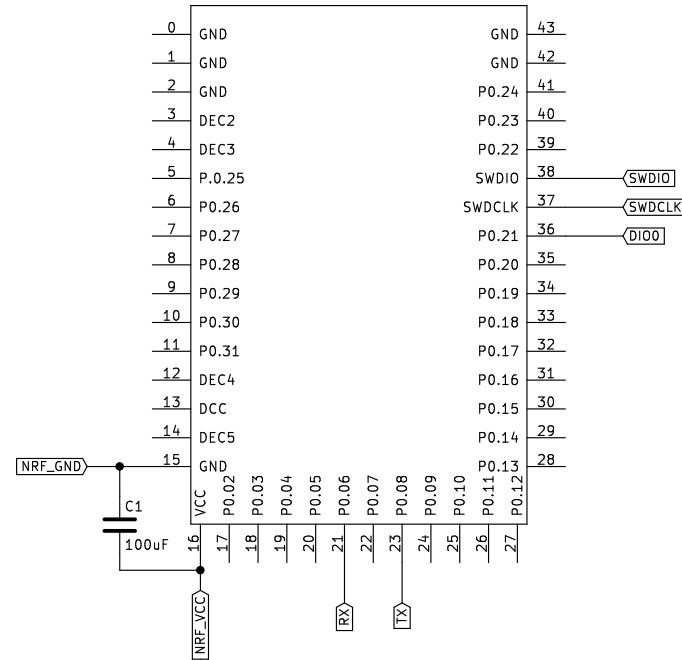
ESP8266



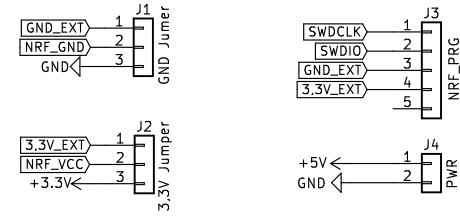
Radios



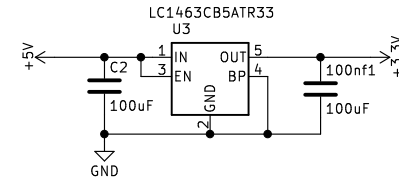
Ebyte-E73-2G4M04S U2



Jumpers / Connectors



Voltage Regulator (LDO SOT23-5)



Gateway with NRF52832 + RFM69HW  
For A handy Box

Sheet: /  
File: GatewayWeemos.sch

**Title: MySensors Multi Gateway**

Size: A4 Date:  
KiCad E.D.A. kicad 4.0.7

Rev: 0.8  
Id: 1/1