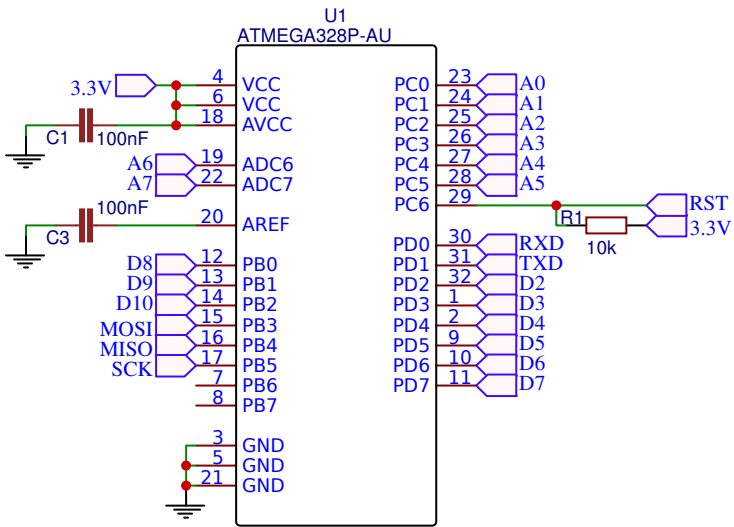
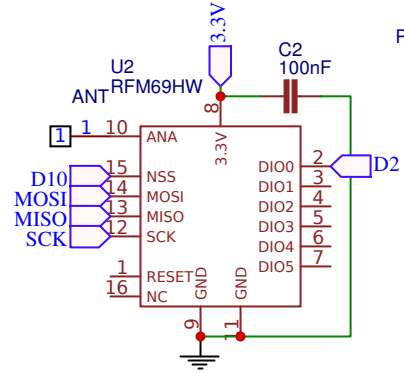


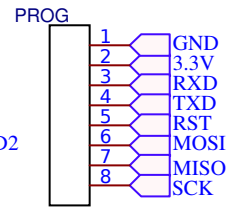
### Arduino



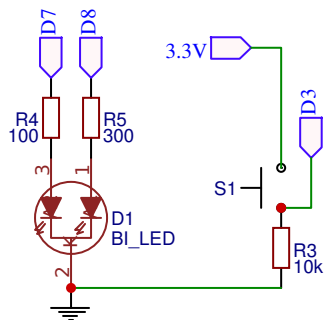
### RF module



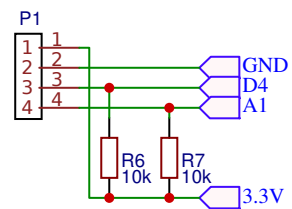
### ISP/UART



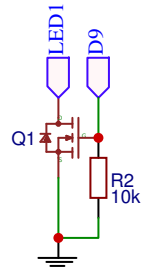
### DuoLED + Buttons



### Expansion Port



### Mosfet



### Input voltage regulator

