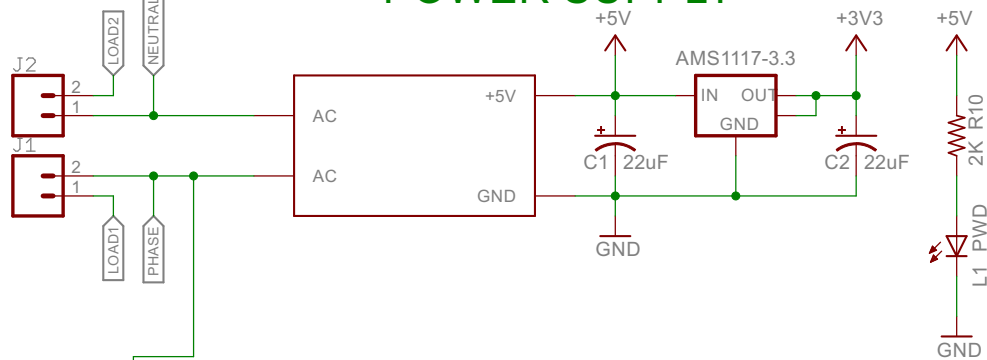
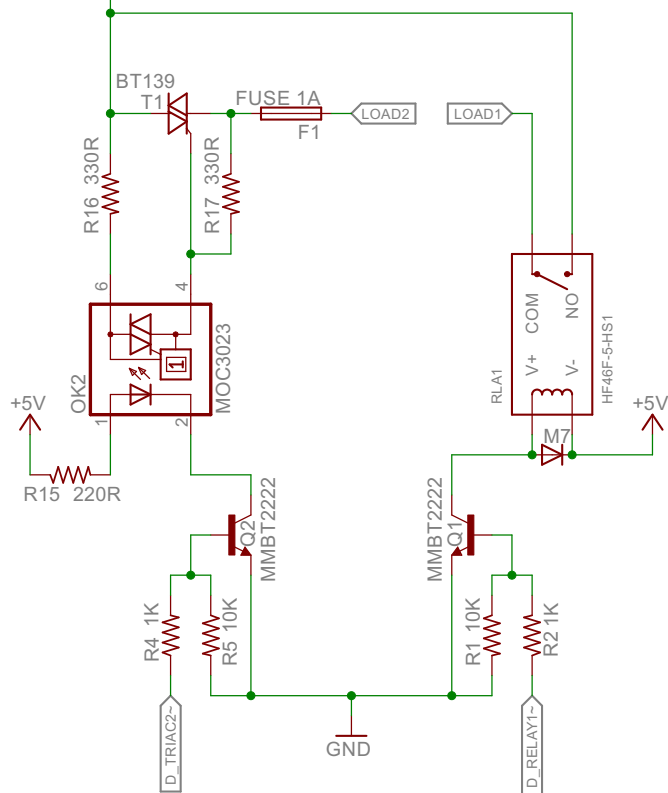


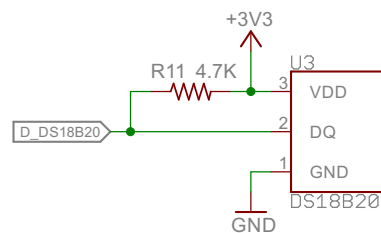
POWER SUPPLY



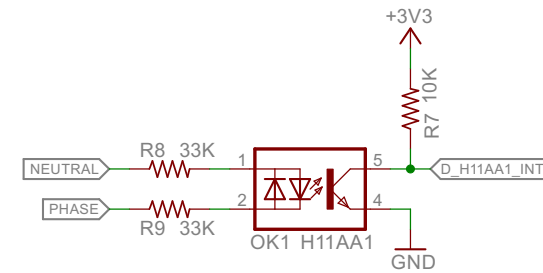
TRIAC 1A & RELAY 5A



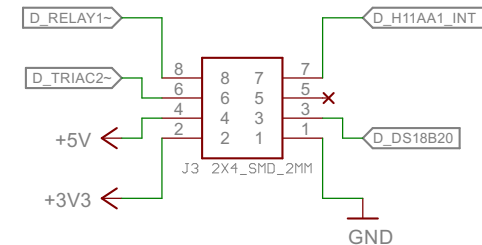
TEMP SENSOR



ZERO CROSSING DETECTION



MCU CONTROL PORT



TITLE:

SmartHome - Triac Switch

LICENCE:

<http://giltesa.com>



FILE: Triac Switch

REV: V1.0

Date: 23/02/2018 22:35:22

Sheet: 1/1