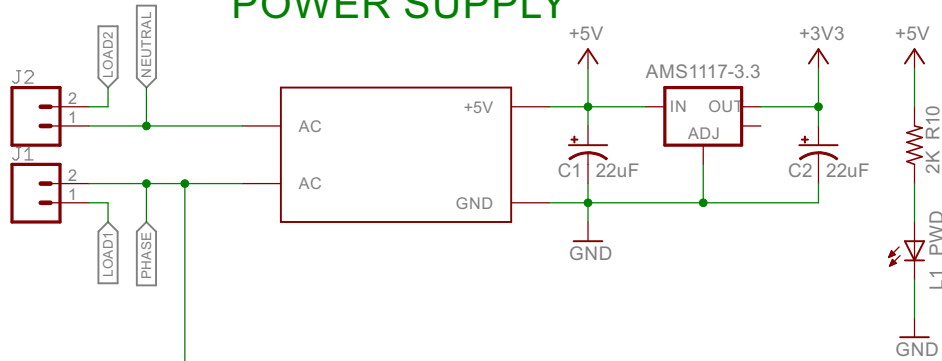
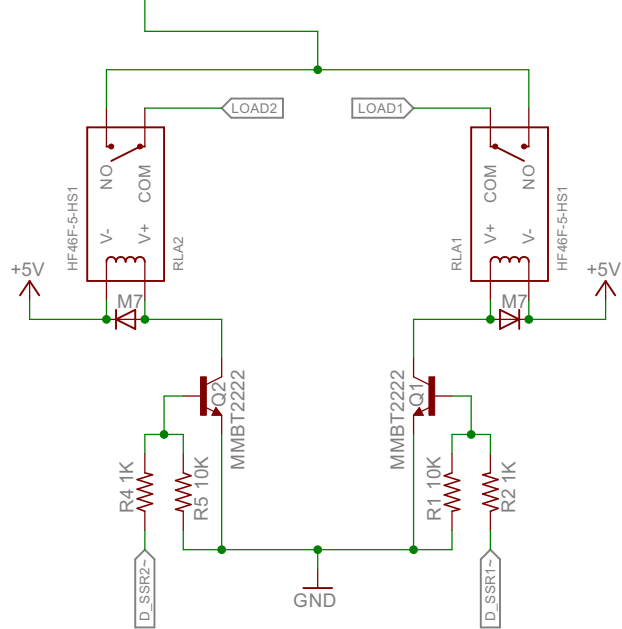


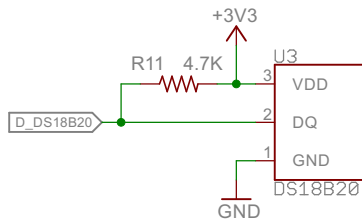
POWER SUPPLY



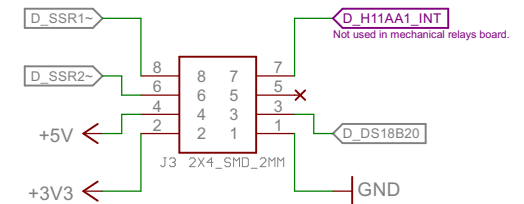
RELAYS SSR 2A



TEMP SENSOR



BOARD CONNECTOR



| | |
|---|------------|
| TITLE: SmartHome - Relay Switch | |
| LICENCE: http://giltesa.com | |
| FILE: Relay Switch | REV: V1.1 |
| Date: 15/01/2018 19:50:03 | Sheet: 1/1 |