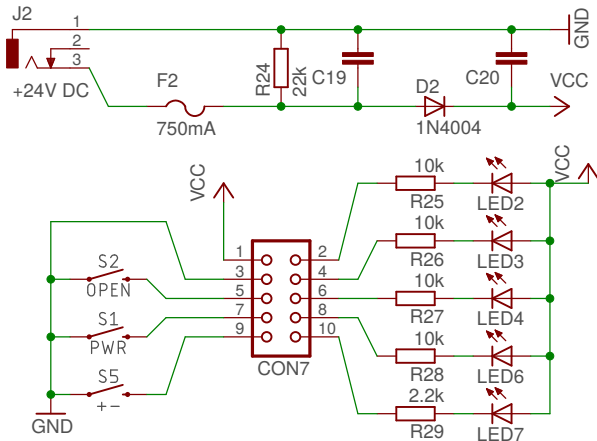
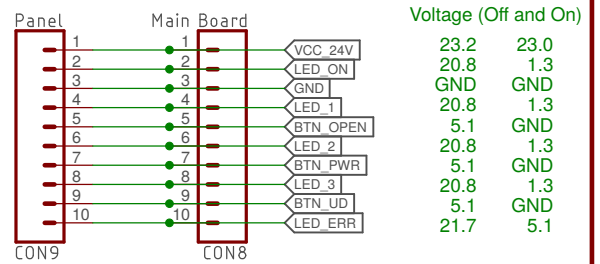


Control Panel (including power jack):



Main PCB as blackbox (only connector):



All pins of the connectors potentially carry 24V
=> cannot directly feed into Arduino!

Turning the device on has no effect on the voltages of the LED and the BTN pins. A button press connects to GND, a burning LED causes the voltage to drop from 20.8V to 1.3V, except for the error LED, which drops from 21.7V to 5.1V when turned on.

As the LEDs and the button pins are not disabled when the device appears off, one can still flash the leds programmatically!