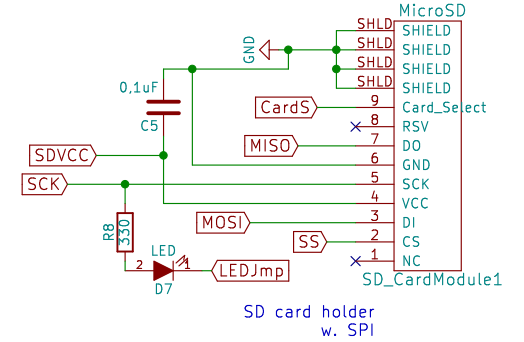
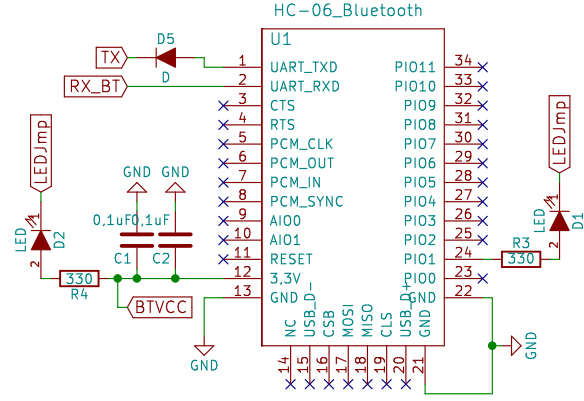
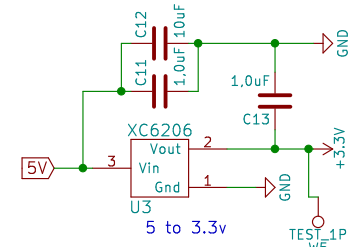
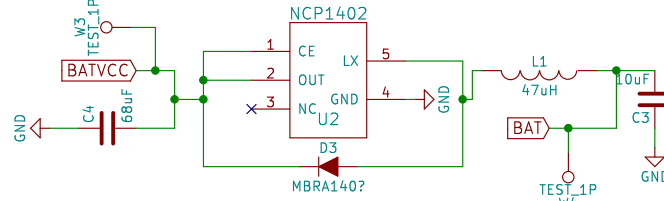


HC-06 module (without breakout board).



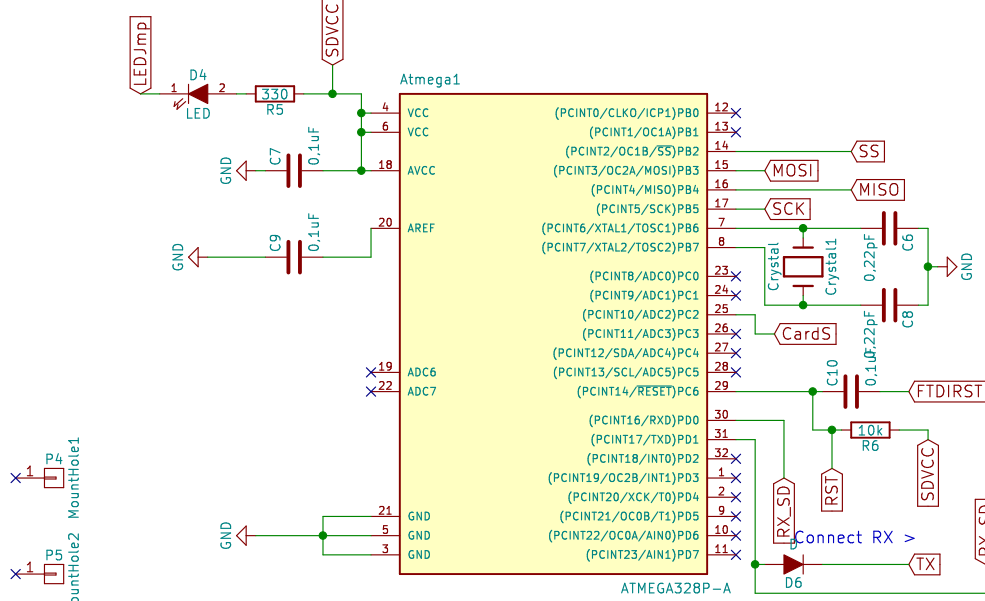
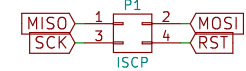
SD card holder w. SPI

DC-DC 3.3v step up to allow battery op. <https://www.sparkfun.com/products/10967>

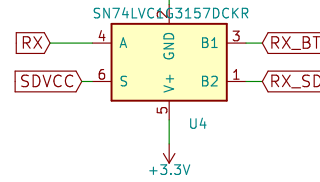


5 to 3.3v

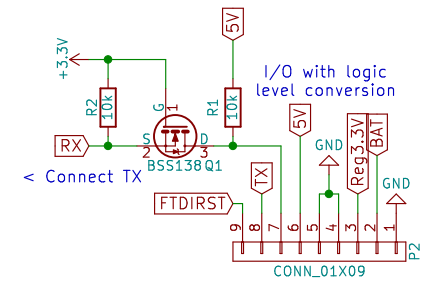
ISCP Header



Minimum atmega op to write serial data to SD card with SPI data



FTDI RX/TX



Connect TX



Mounthole2 Mounthole1