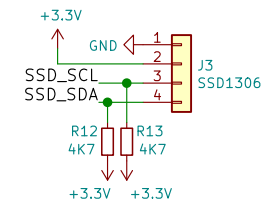
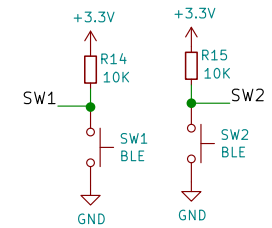


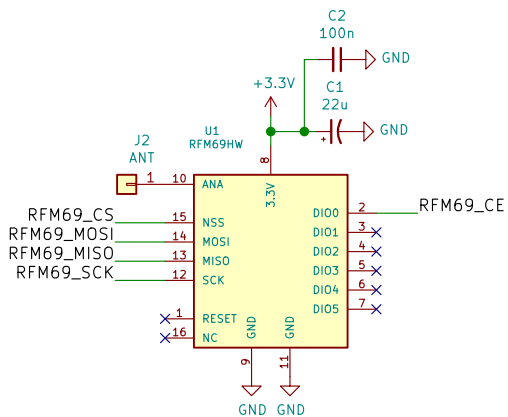
Raspberry Pi Zero W Board/LED Bargraph/Temperature Sensor



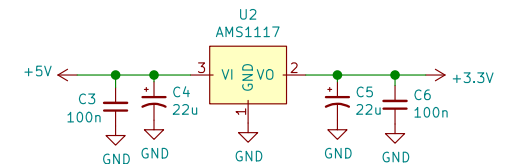
OLED Display(128x32)



Switches



RFM69W Radio Module



5V to 3.3V Voltage Regulator

Sheet: /  
File: rpi\_zero.sch

**Title: Raspberry Pi Zero W MySensors-BLE**

Size: A4 Date:  
KiCad E.D.A. kicad no-vcs-found-47f37ef60ubuntu16.04.1

Rev: 0.1  
Id: 1/1