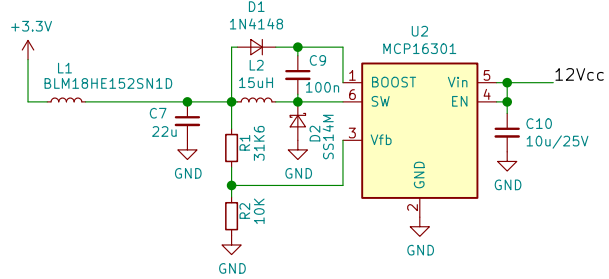
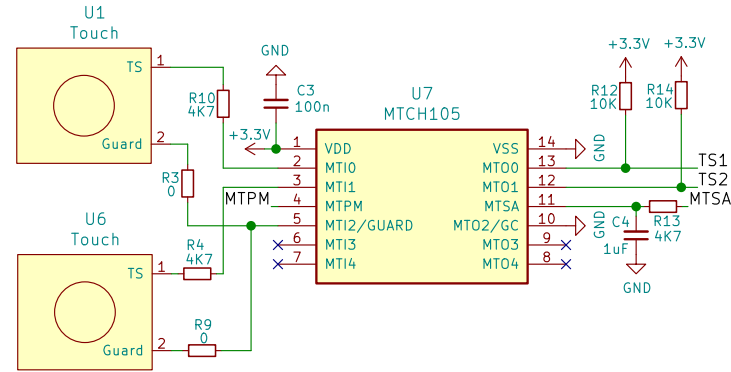


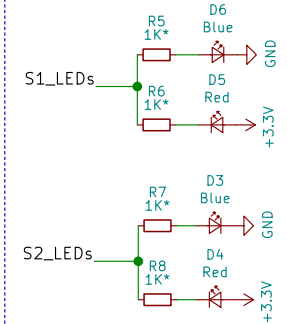
SWD ISP



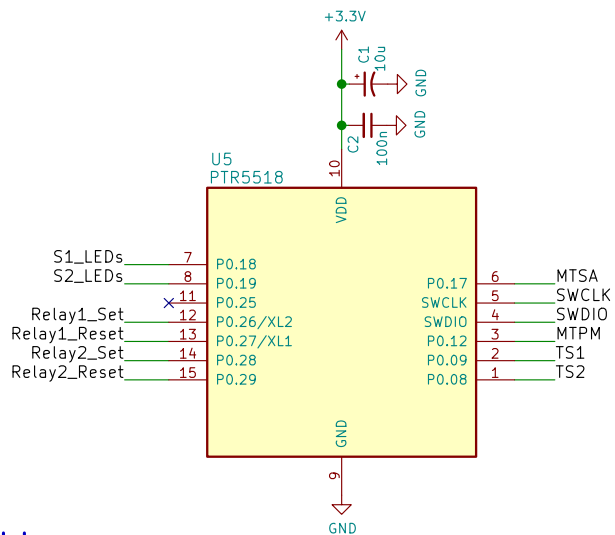
Buck power supply(12V to 3.3V)



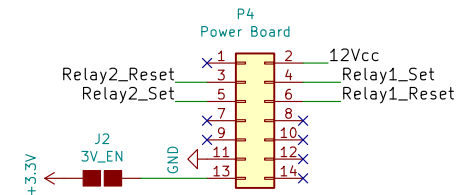
Touch sensors



Switch state LEDs



MCU unit



Livolo power/relays board

Note:
If using port pins P0.26 and P0.27 then you need to make sure to not use crystal oscillator option when building the software project

VL-C700X-1 Ver: C2

Sheet: /
File: livolo_2_channels_1way_eu_switch.sch

Title: Mysensors NRF5 Livolo 2 channels 1 way EU switch front panel

Size: A4	Date:	Rev: 0.3
KiCad E.D.A. kicad no-vcs-found-6573a4360ubuntu16.04.1		Id: 1/1