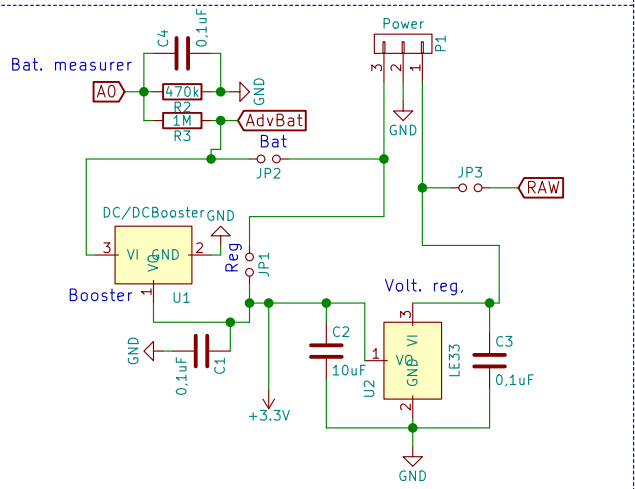
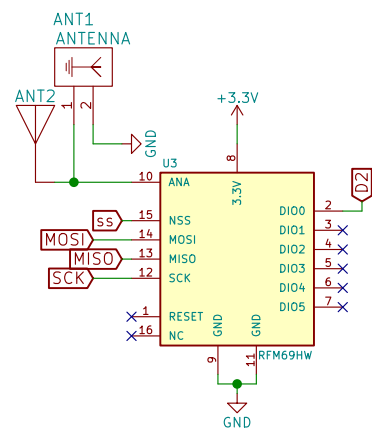


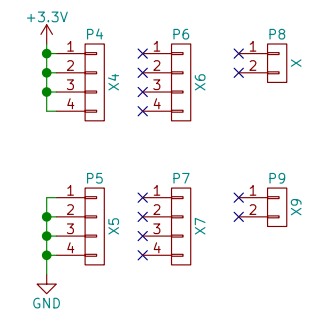
Power



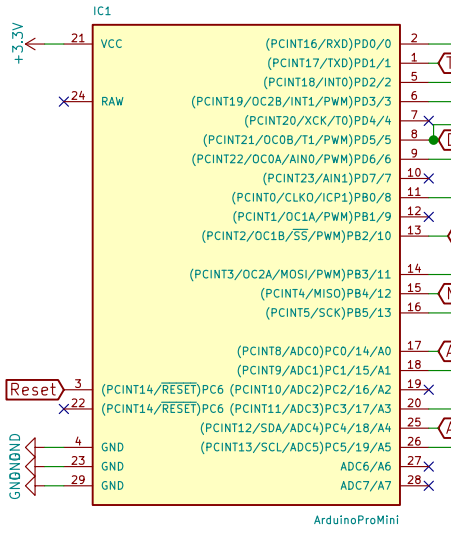
RFM69 Module



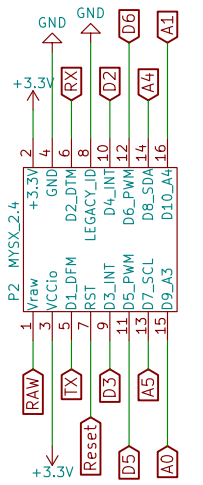
Extra (Prototyping)



Arduino Pro Mini 3.3v

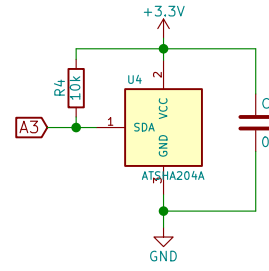


MysX 2.4

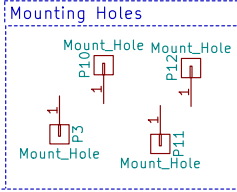
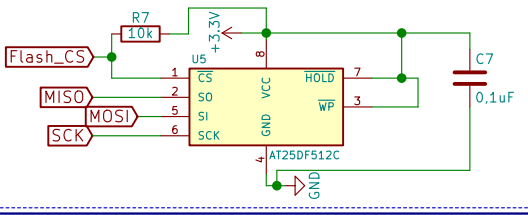


Optional functions for advanced users

Signing - OPTIONAL Adv function



Ext Flash - OPTIONAL/Adv function



License: CERN Open Hardware License  
 By Andreas Sundberg  
**MySensors.org, Openhardware.io**  
 Sheet: /  
 File: EasyPCB\_10\_RFM69hw.sch  
**Title: EASY/Newbie PCB RFM69 H/HW edition**  
 Size: A4 Date: 2018-02-02 Rev: Rev 10 (RFM69 ed)  
 KiCad E.D.A. kicad 5.0.2-bee76a070ubuntu18.04.1 Id: 1/1