

AVR ISP

Buck power supply(12V to 3.3V)

Touch Sensors

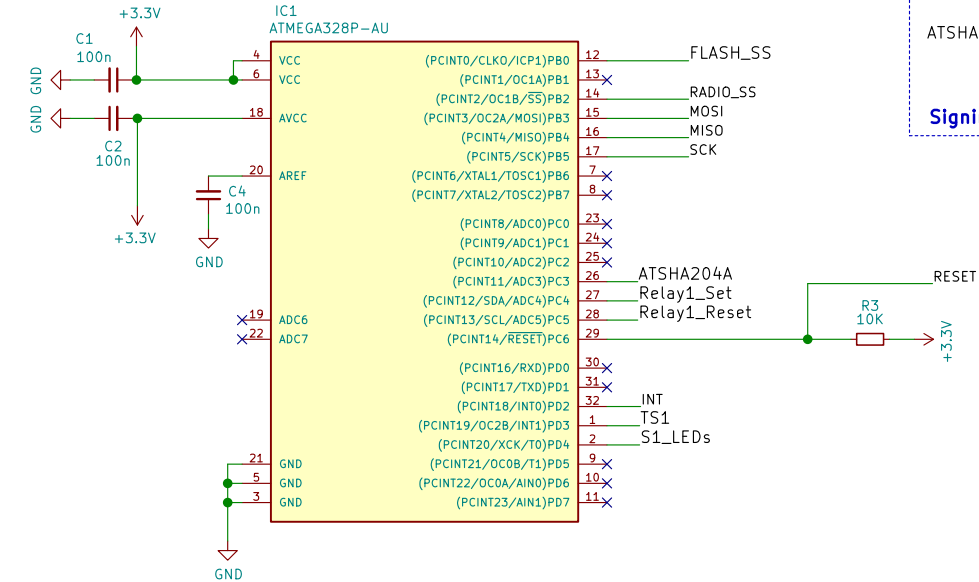
Switch state LEDs

SPI Flash(OTA)

Signing module

RFM69CW radio module

Livolo power/relays board



MCU unit

VL-C700X-1 Ver: C2

Sheet: /  
File: livolo\_1\_channel\_1way\_eu\_switch.sch

**Title: Mysensors RFM69 Livolo 1 channel 1 way EU switch front panel**

Size: A4 Date: Rev: 0.1  
KiCad E.D.A. kicad no-vcs-found-d4e41c458ubuntu16.04.1 Id: 1/1