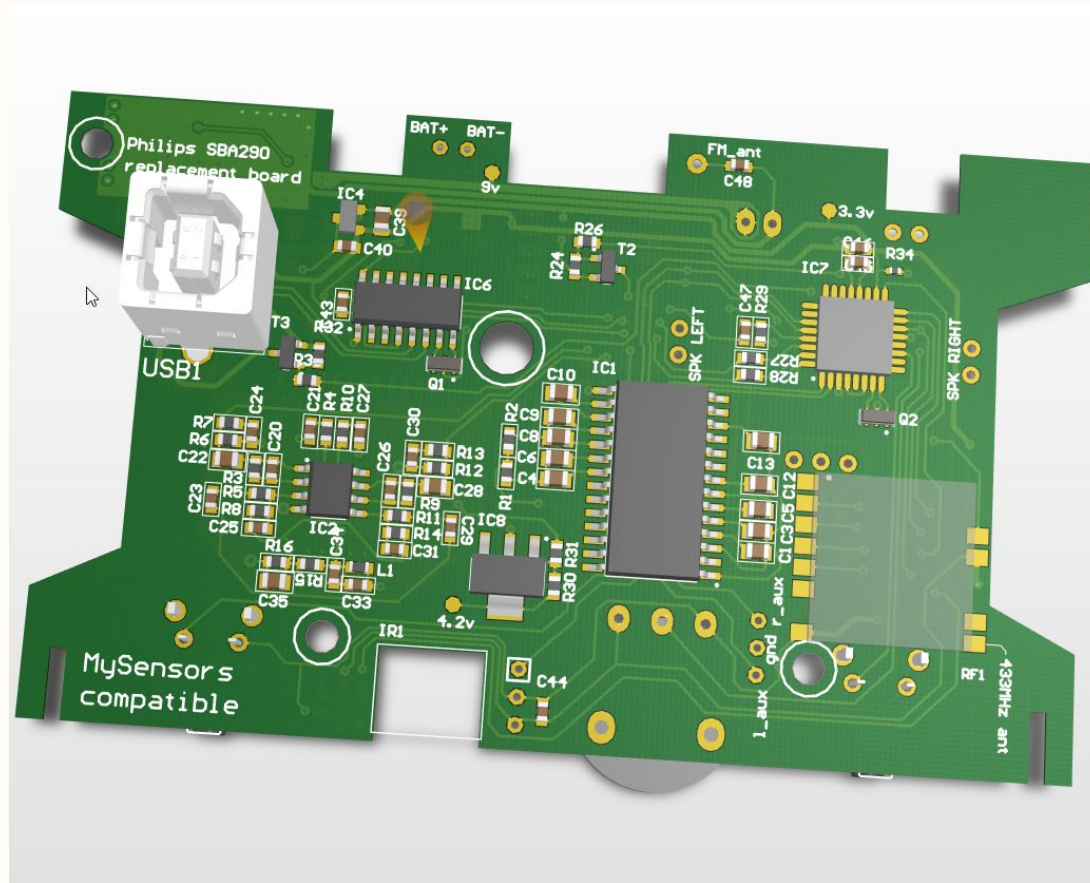
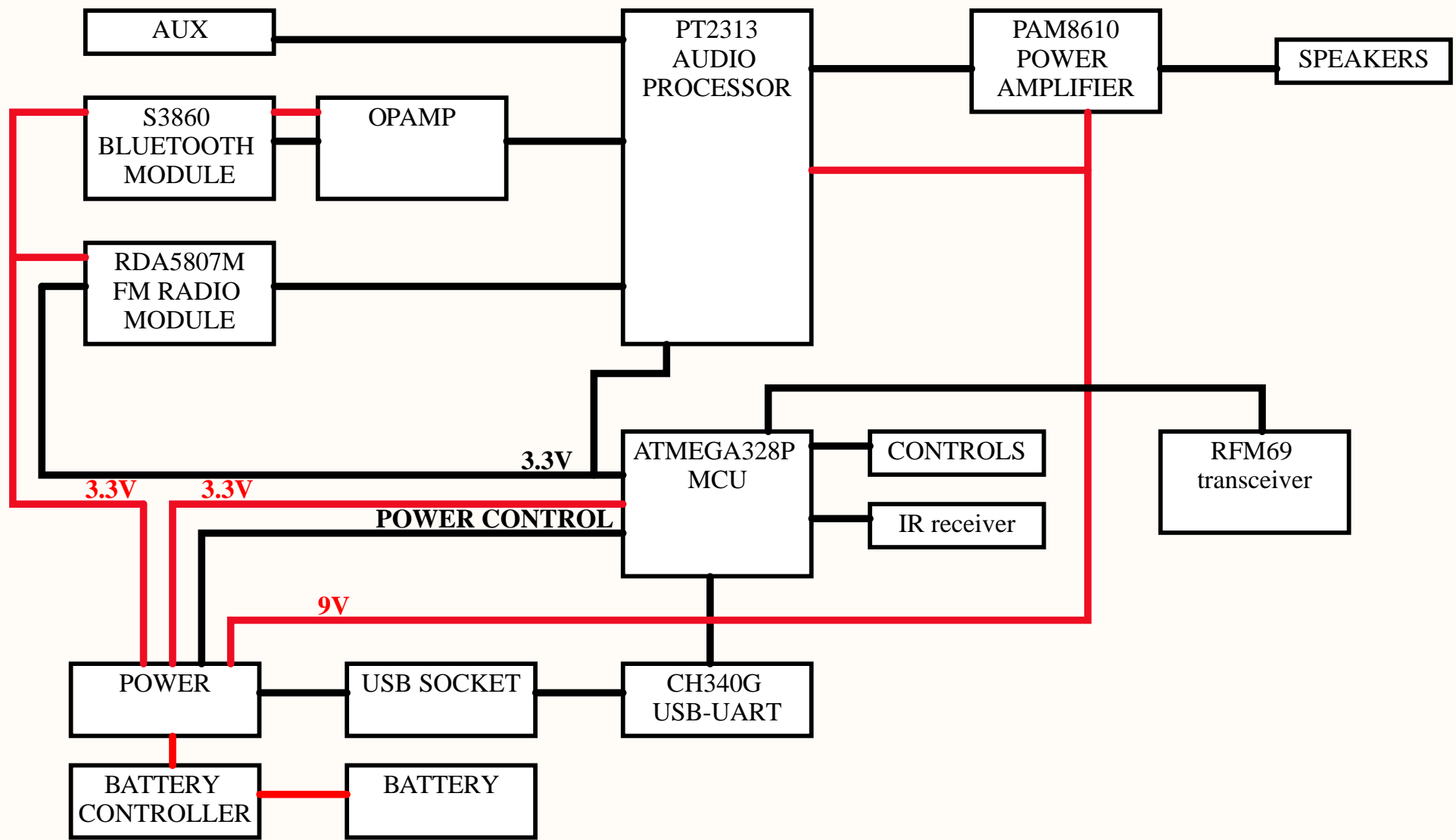


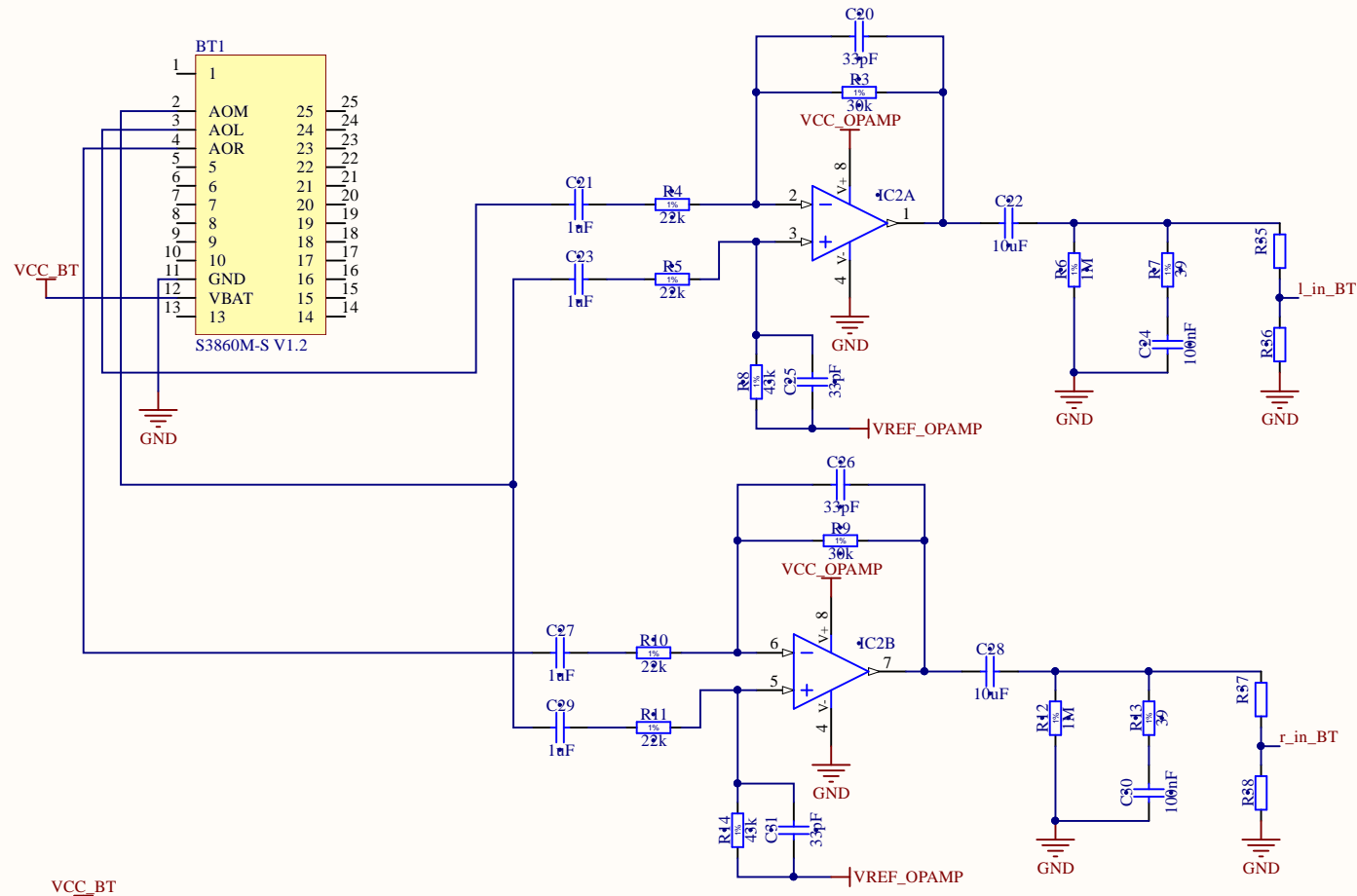
Philips SBA290 replacement board



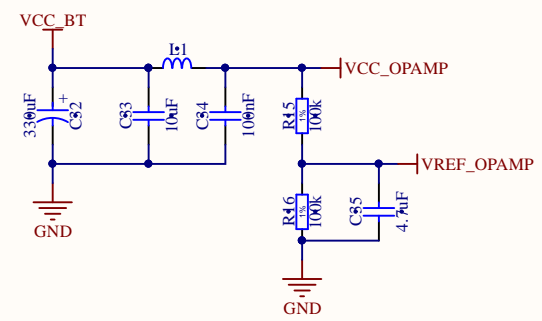
Title		
Size	Number	Revision
A4		
Date:	24.04.2017	Sheet of
File:	C:\WORK\Philips_jukebox\COVER.Sch Drawn By: Koresh	



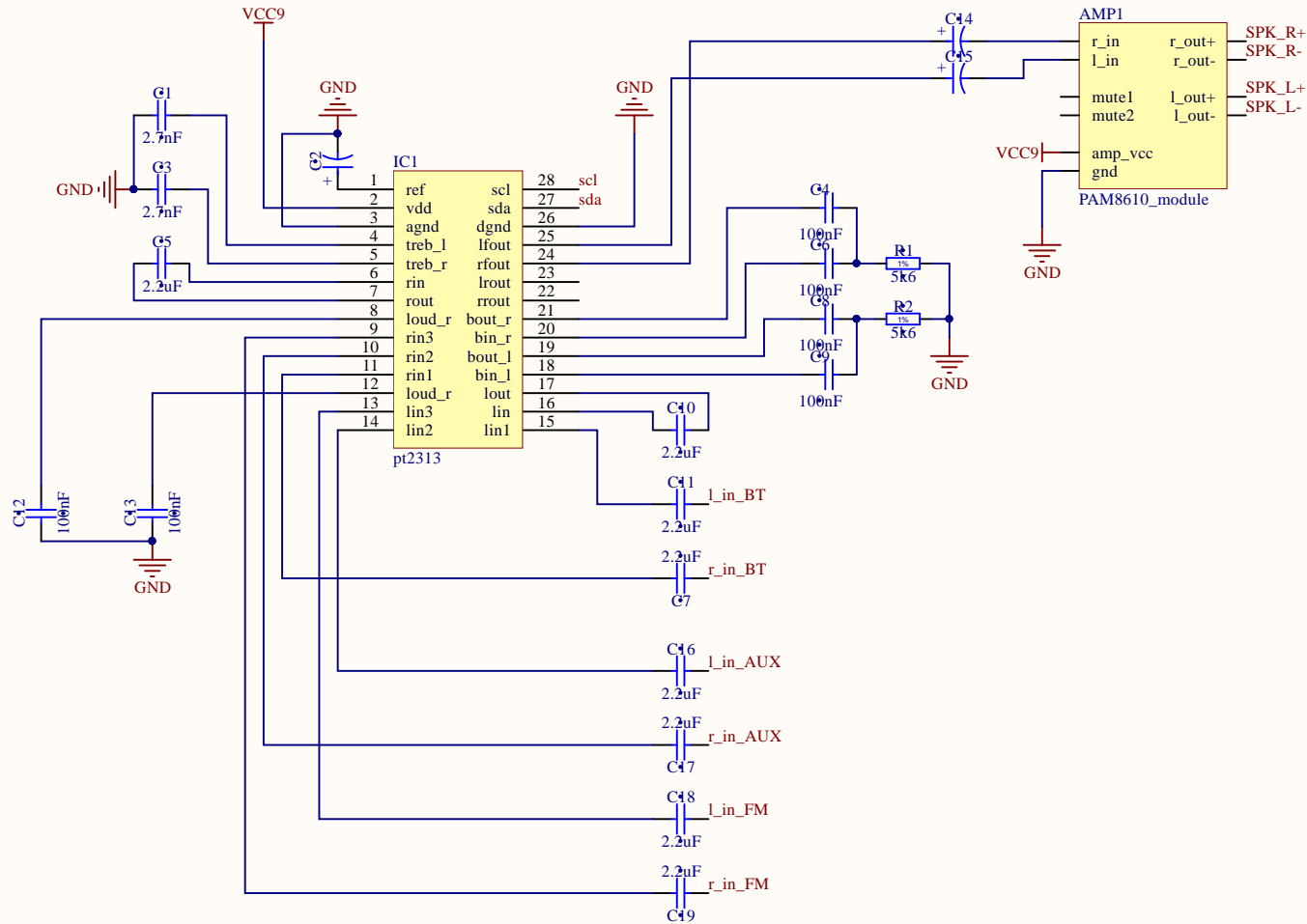
Title		
Size A4	Number	Revision
Date: 24.04.2017	Sheet of	
File: C:\WORK\...\BLOCK DIAGRAM.SchDp Drawn By: Koresh		



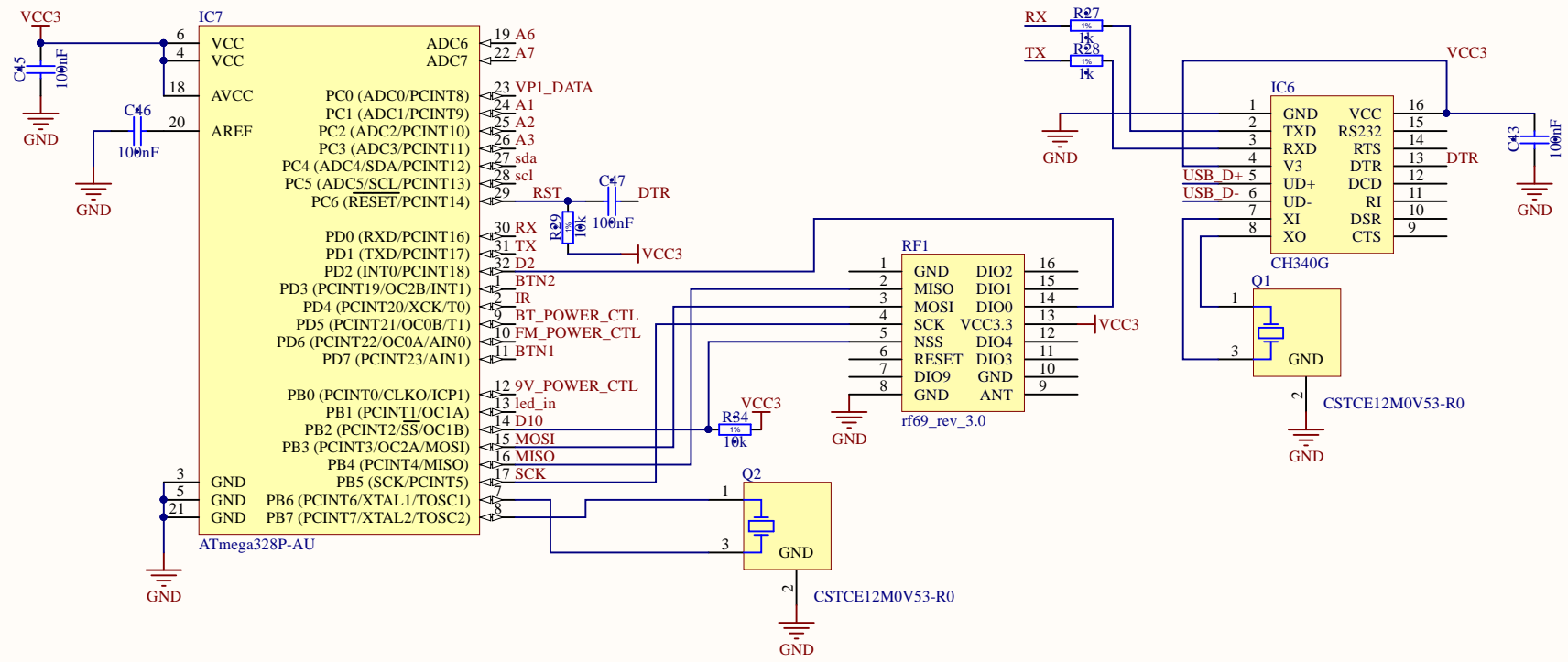
CHECK R8/R14



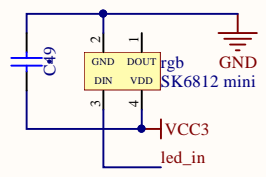
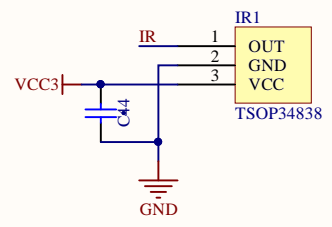
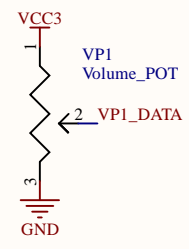
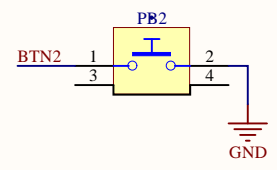
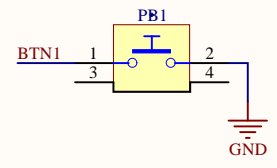
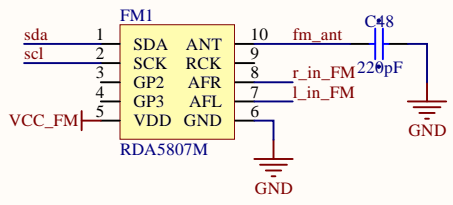
Title		
Size	Number	Revision
A4		
Date:	24.04.2017	Sheet of
File:	C:\WORK\...\BLUETOOTH.SchDoc	Drawn By: Koresh



Title		
Size	Number	Revision
A4		
Date:	24.04.2017	Sheet of
File:	C:\WORK\..\AUDIO PROCESSOR.Sch	Drawn By: Koresh

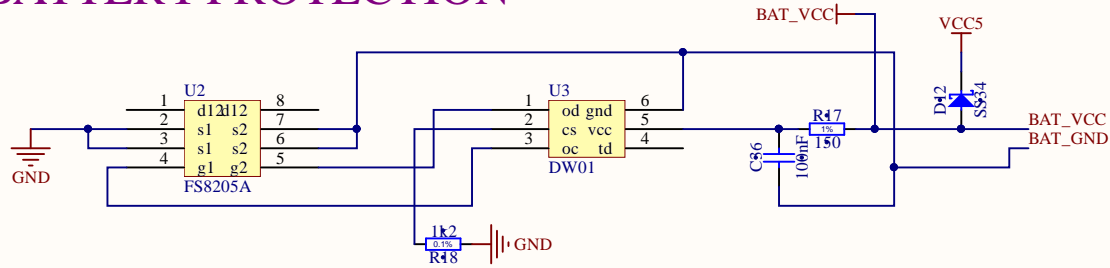


Title		
Size	Number	Revision
A4		
Date:	24.04.2017	Sheet of
File:	C:\WORK\Philips_jukebox\MCU.SchDp Drawn By: Koresh	

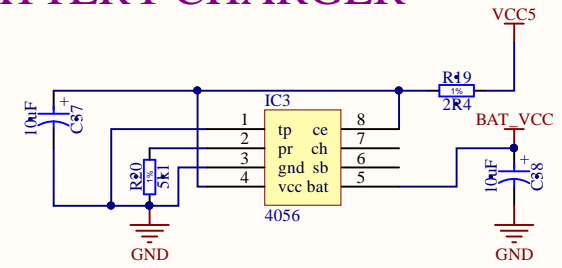


Title		
Size A4	Number	Revision
Date:	24.04.2017	Sheet of
File:	C:\WORK\...\PERIPHERALS.SchDoc	Drawn By: Koresh

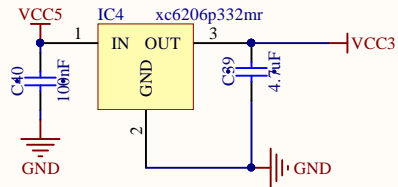
BATTERY PROTECTION



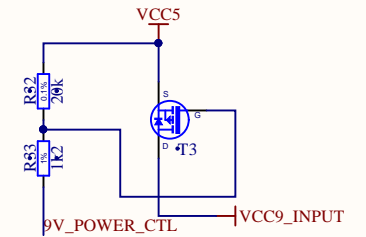
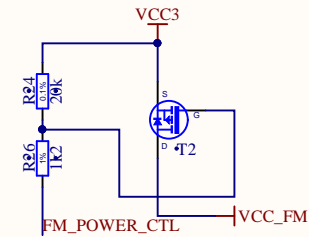
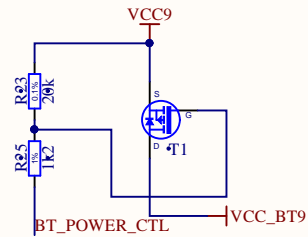
BATTERY CHARGER



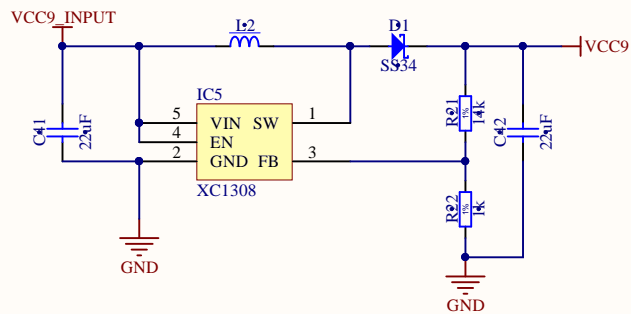
3.3V LDO



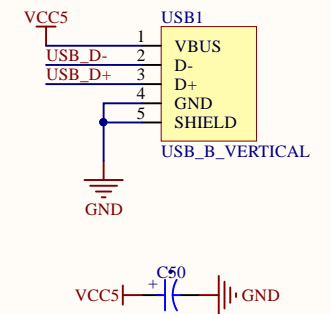
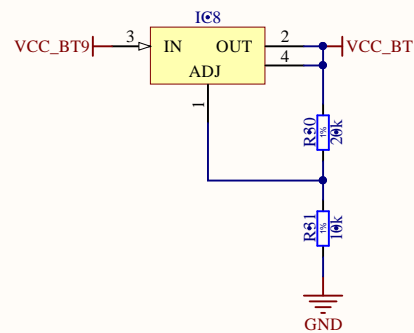
POWER CONTROL



9V CONVERTER



4.2V LDO



Title		
Size	Number	Revision
A4		
Date:	24.04.2017	Sheet of
File:	C:\WORK\Philips_jukebox\POWER.Sch	Drawn By: Koresh