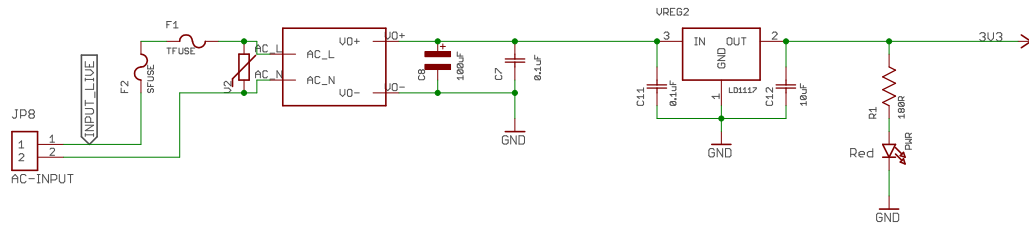
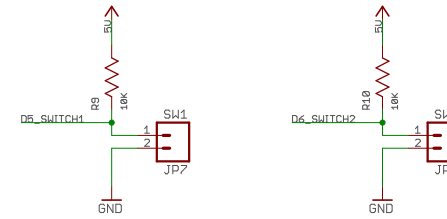


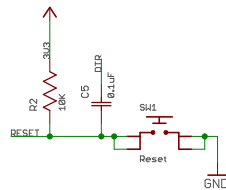
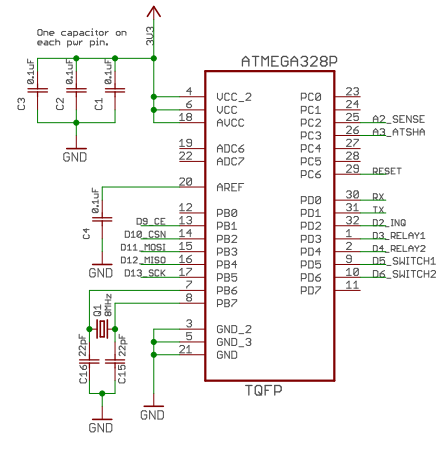
## Power Input & Regulation



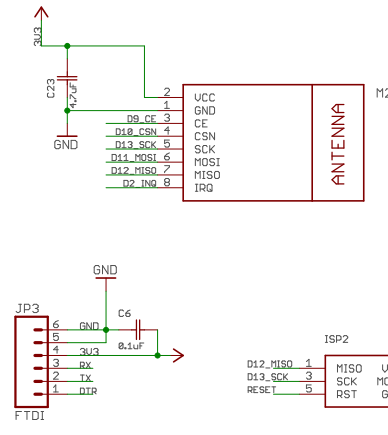
## Switches



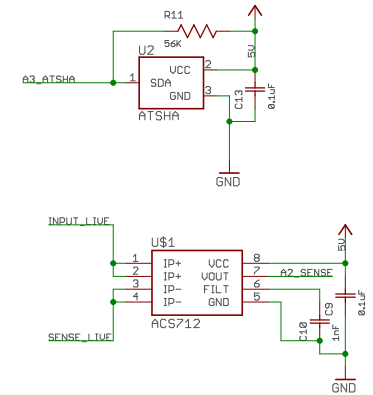
## Microprocessor & Reset Switch



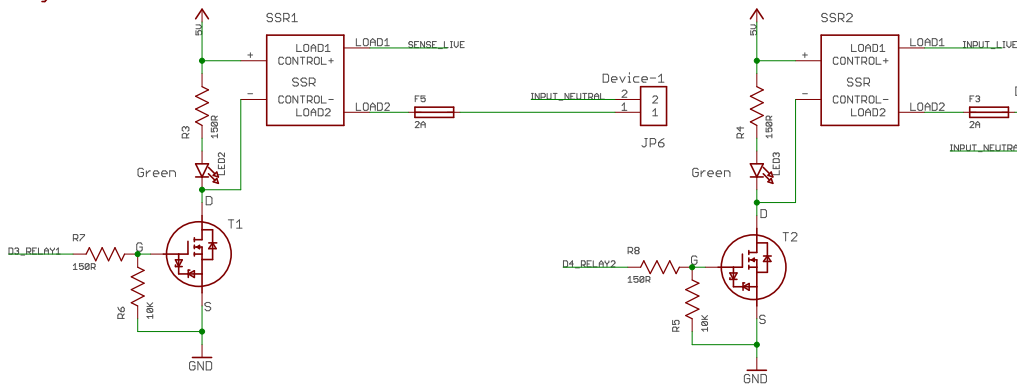
## Radio & Programming Headers



## Security & Current Sensing



## Relays



Attribution-Share-Alike (CC-BY-SA)	
<C>Samuel235	
TITLE: HominiACPoweredRelay(2)Module	
Date: 25/02/2017 16:23	REU: 1
Sheet: 1/1	