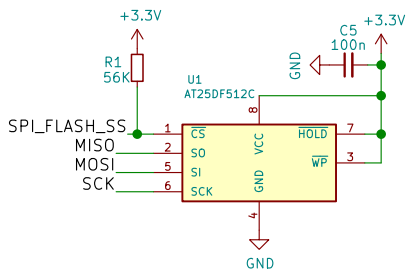
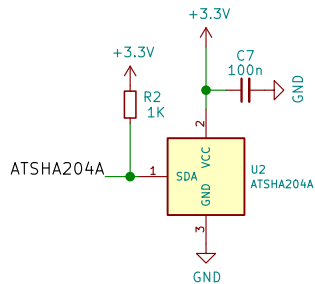


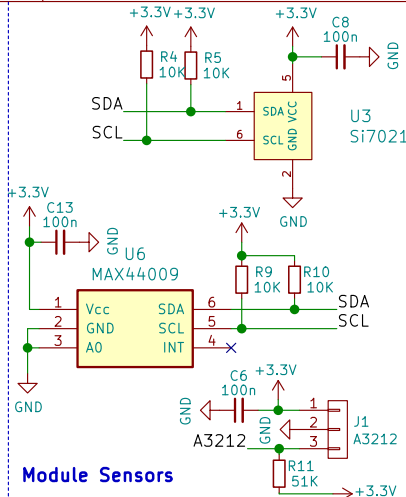
AVR ISP



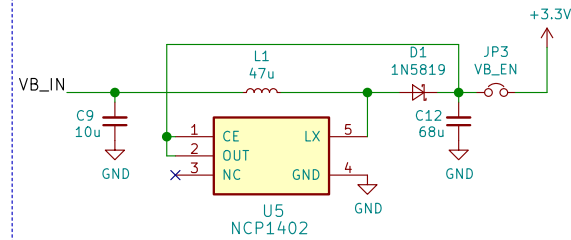
SPI Flash Module



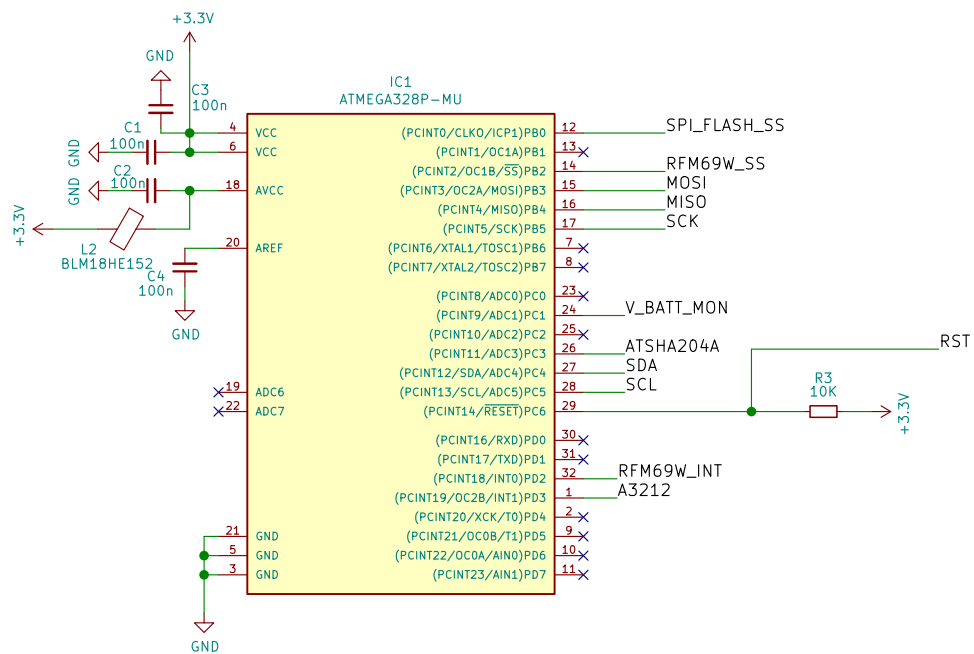
Signing module



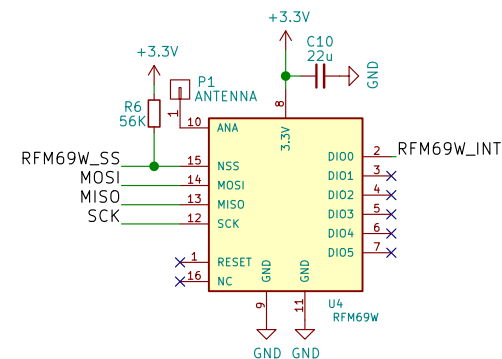
Module Sensors



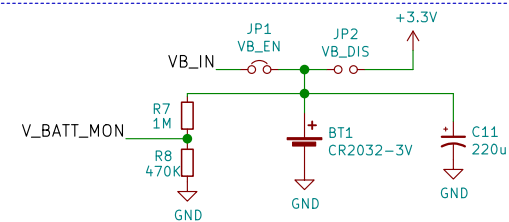
DC-DC Boost voltage regulator(3.3V)



MCU unit



RFM69W radio module



3V supply(CR2032 Battery)