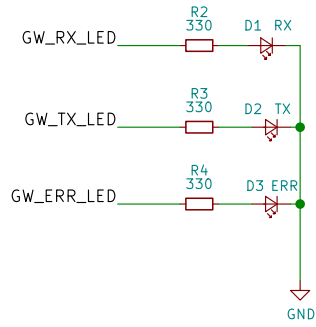
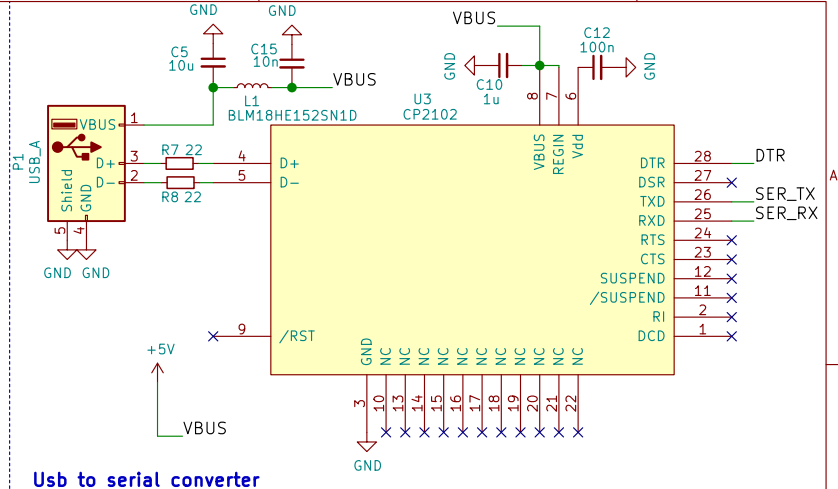


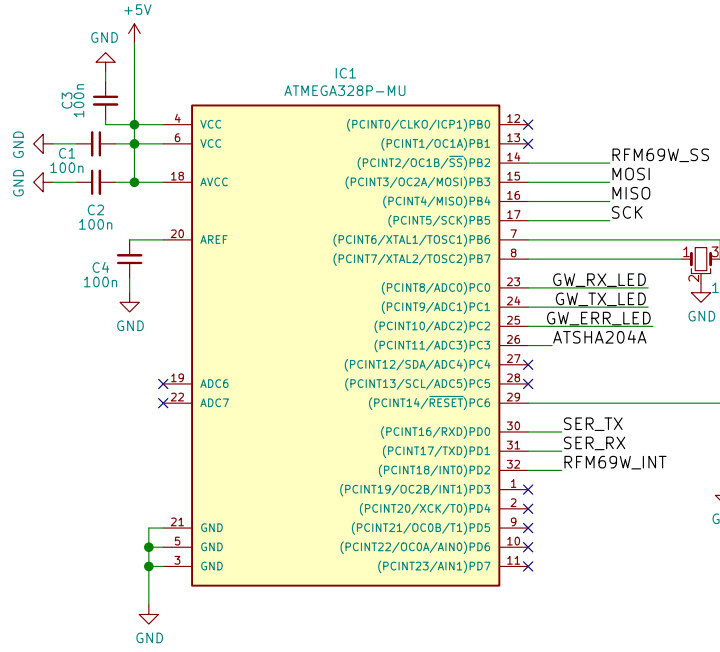
AVR ISP



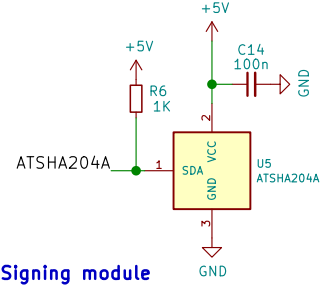
LED panel



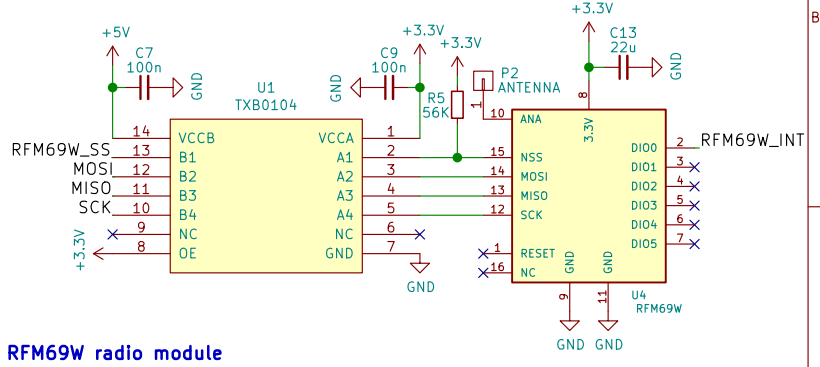
Usb to serial converter



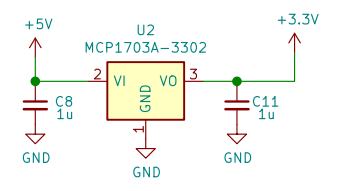
MCU unit



Signing module



RFM69W radio module



3.3V supply