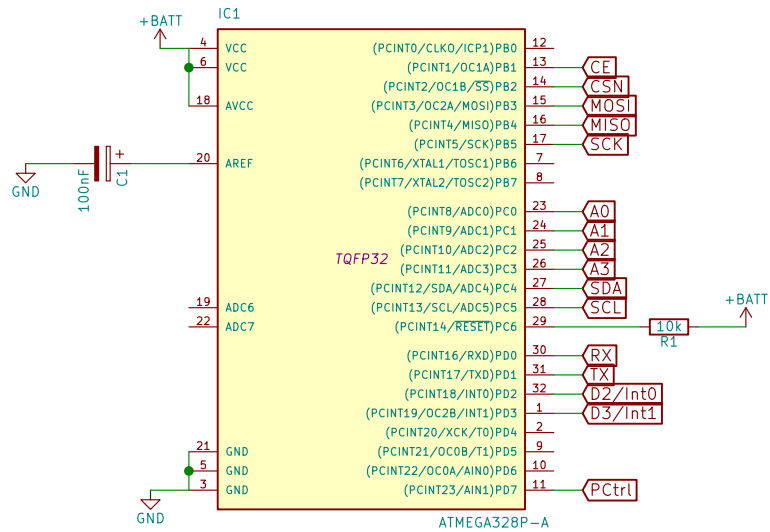
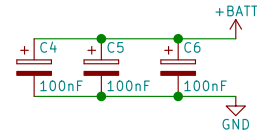


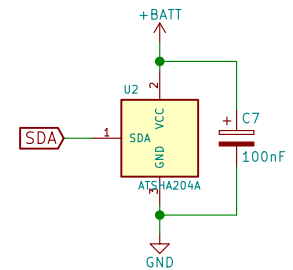
Atmega328P



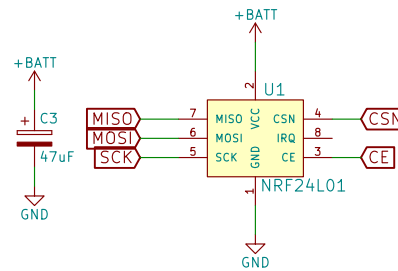
Decoupling for the 328



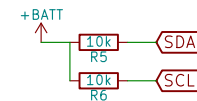
Signing support



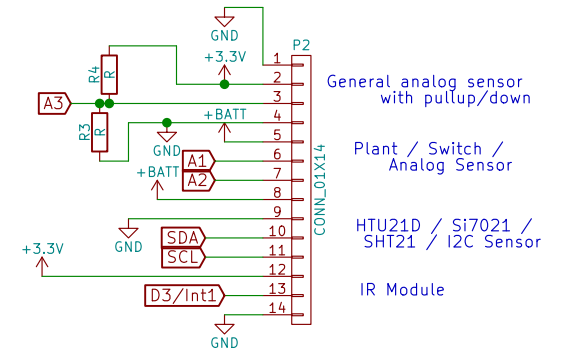
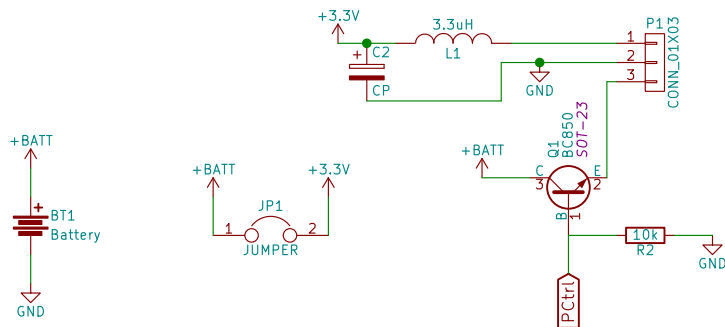
Radio



Pullup for the I2C lines



Power



Sheet: /	
File: MiniSensor.sch	
Title: Mini Coincell Multisensor	
Size: A4	Date: 2016-05-12
KiCad E.D.A. kicad 4.0.2-stable	Rev: 1
	Id: 1/1