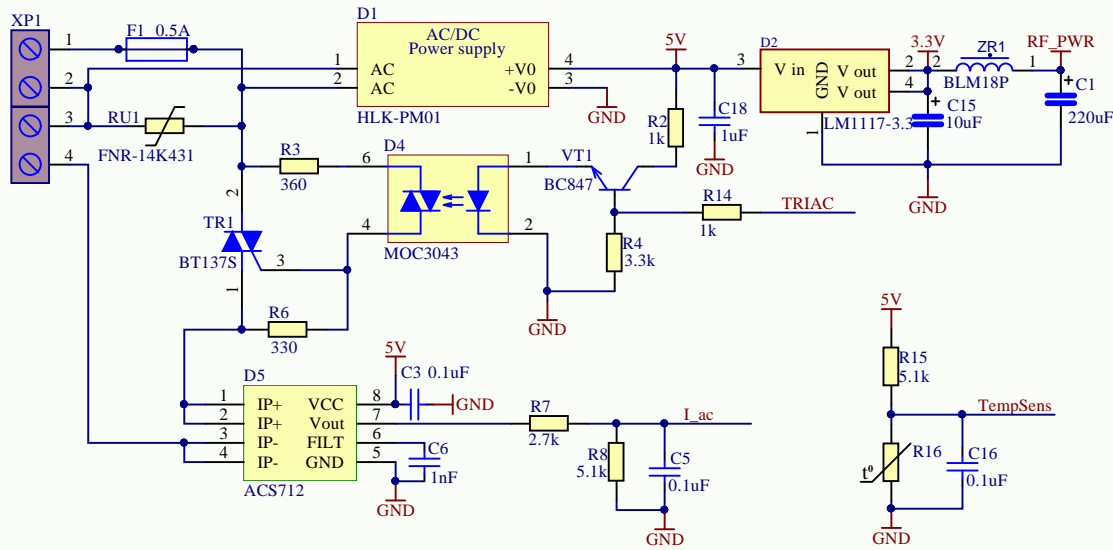
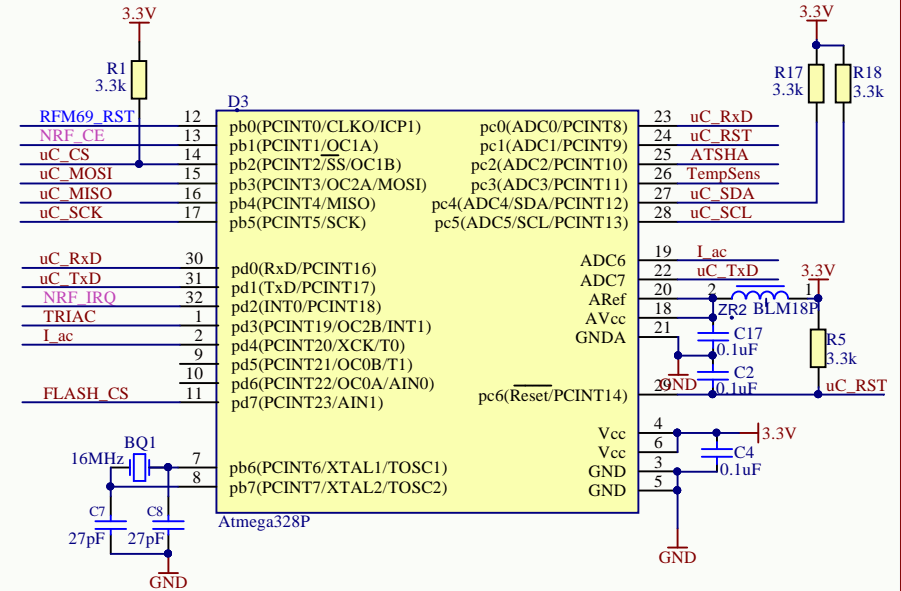


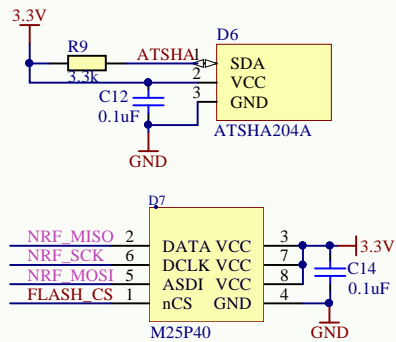
AC & DC & Current sensor



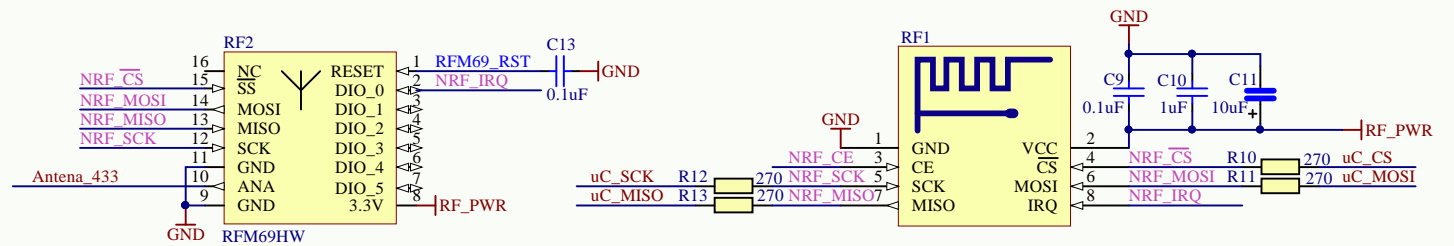
uC



Singing & SPI Flash



Radiomodules 2.4GHz & ISM



Title		
Size	Number	Revision
A4		
Date:	07.09.2016	Sheet of
File:	F:\WORK\...\MDMSNode_Lightnig.SchDD	Drawn By:

Part	Value	MPN	MF	Quantity
BQ1	16MHz		Geyer Electronic	1
C1	220uF	TPSC227K006R0125	AVX	1
C2, C3, C4, C5, C9, C12, C13, C14, C16, C17	0.1uF	C0603C104K4RACTU	Kemet	10
C6	1nF	CC0603KRX7R6BB102	YAGEO	1
C7, C8	27pF	C0603C270J3GACTU	Kemet	2
C10	1uF	CC0603MRX5R5BB105	YAGEO	2
C11, C15	10uF	TAJB106M016RNJ	AVX	2
D1	HLK-PM01	HLK-PM01	Hi-Link	1
D2	LM1117-3.3	LM1117MPX-3.3/NOPB	Texas Instruments	1
D3	Atmega328P	ATmega328P-AU	Atmel	1
D4	MOC3043	MOC3043SR2VMTR-ND	Fairchild	1
D5	ACS712-5A	ACS712ELCTR-05B-T	Allegro	1
D6	ATSHA204A	ATSHA204A-STUCZ-T	Atmel	1
D7	M25P40	M25P40-VMN6TPB	Micron	1
F1	0.5A	KLS5-1010-0500		1
R1, R4, R5, R9, R1, R1	3.3k	RC0603JR-073K3L	YAGEO	6
R2, R14	1k	RC0603JR-071KP	YAGEO	2
R3	360	RC1206JR-07360RL	YAGEO	1
R6	330	RC1206JR-07330RL	YAGEO	1
R7	2.7k	RC0603JR-072K7L	YAGEO	1
R8, R15	5.1k	RC0603JR-075K1L	YAGEO	2
R10, R11, R12, R13	270	RC0603JR-07270RL	YAGEO	4
R16				1
RF1	NRF24L01	NRF24L01	Nordicsemi	1
RF2	RFM69HW	RFM69HW-433S2	HopeRF	1
RU1	FNR-14K431	FNR-14K431		1
TR1	BT137S-600D	BT137S-600D	NXP	1
VT1	BC847	BC847	NXP	1
XP1	DG305-5.0-02P	DG305-5.0-02P	Desgon	1
ZR1	BLM18P	BLM18PG121SN1D	muRata	2