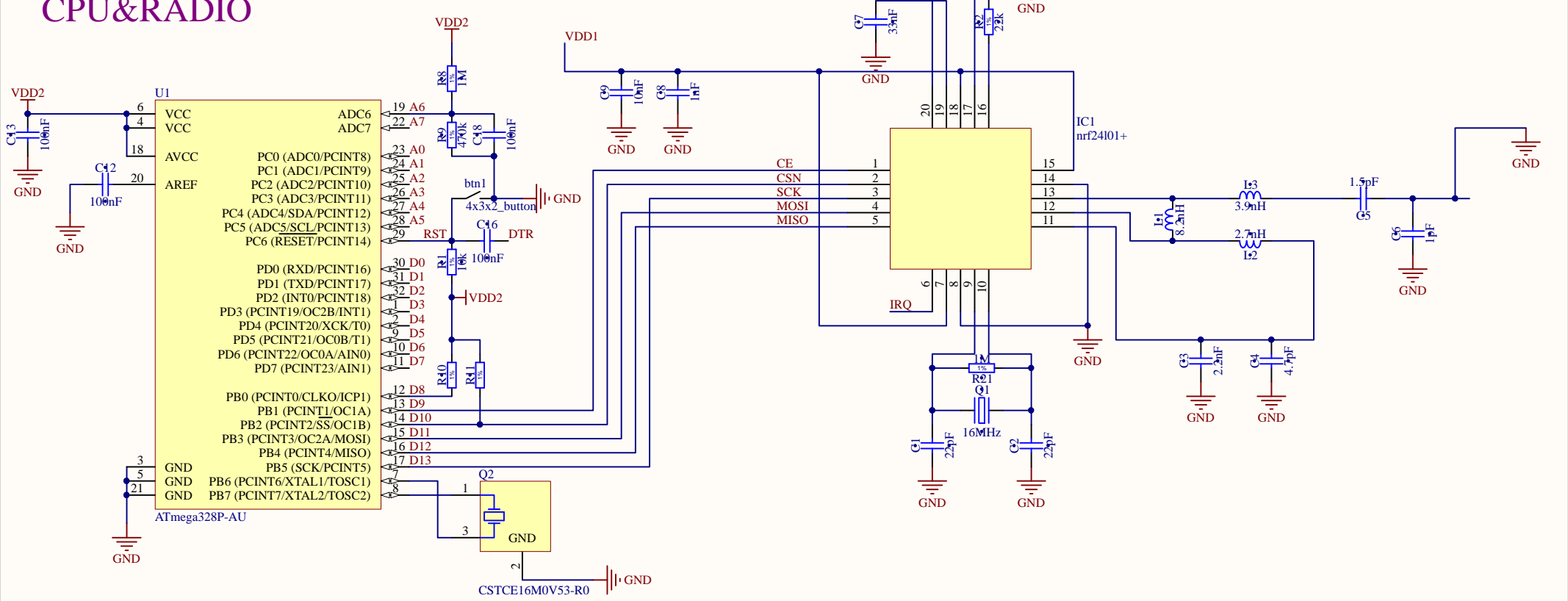
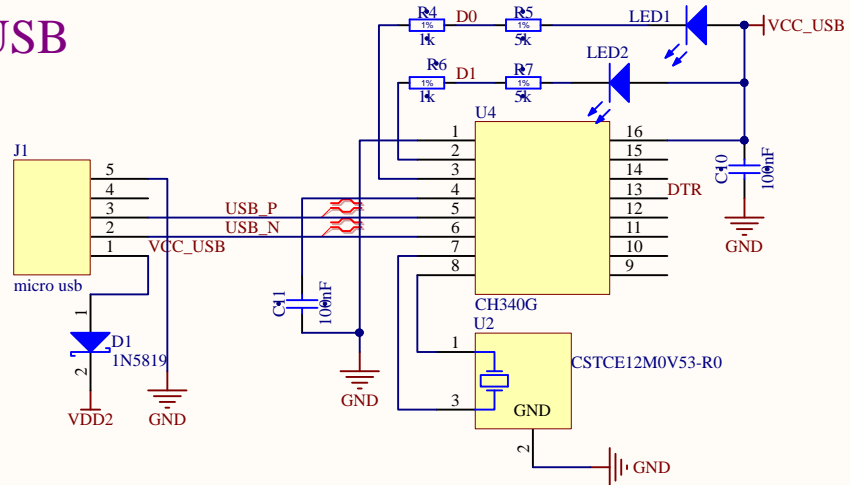


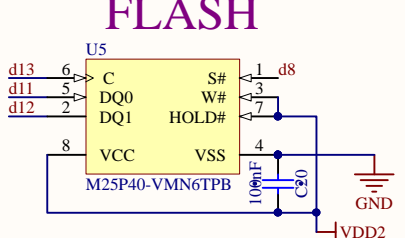
CPU&RADIO



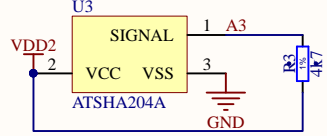
USB



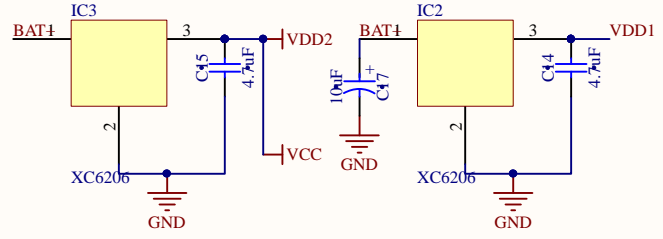
FLASH



AUTH



POWER



Title MySensors Stable Node V2		
Size A4	Number	Revision 1.04
Date: 25.08.2016	Sheet of	
File: C:\WORK\NRFduino\main.SchDoc	Drawn By: Koresh	