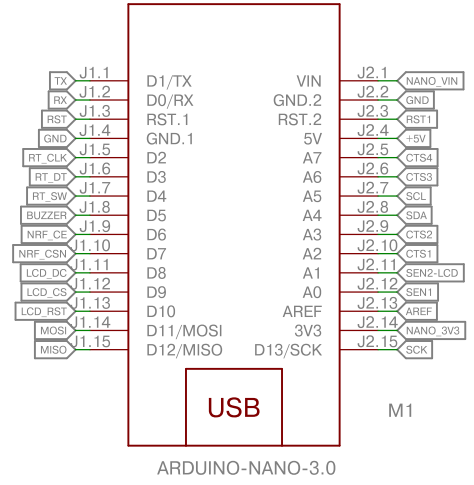
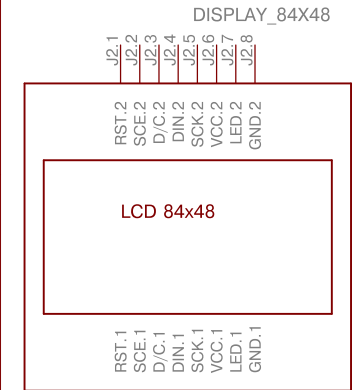
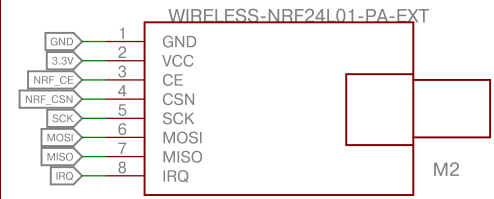
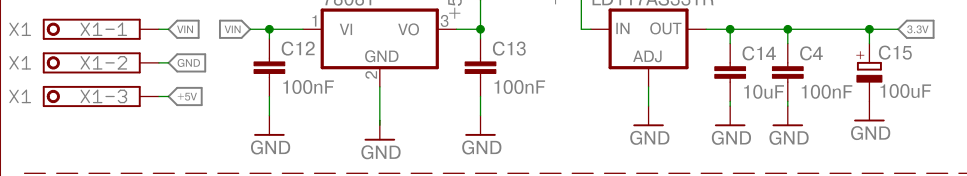
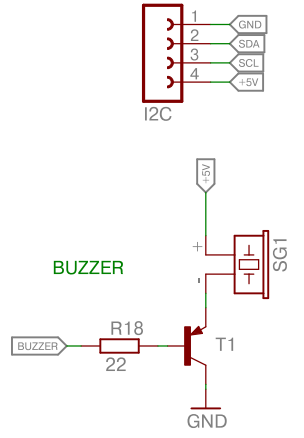


design by PeTeoriTo  
 MyPowerMeterV1  
 18/03/2016 11:27:04  
 Sheet: 1/1

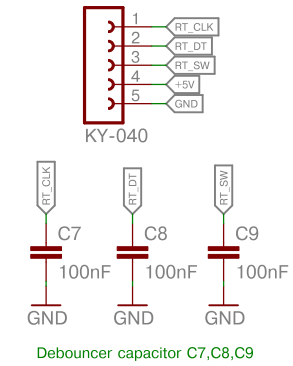
**POWERING**



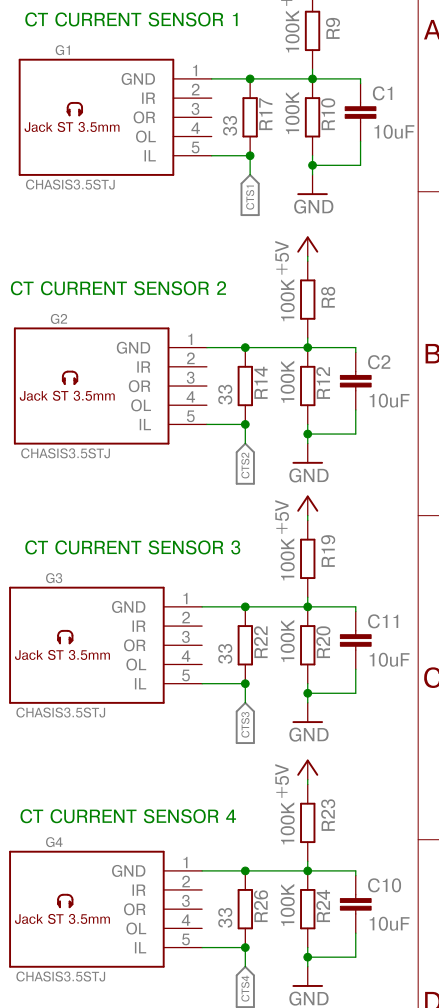
**i2C PORT**



**KY-040 Rotary Encoder Module**



**CURRENT SENSORS**



**GENERAL SENSORS**

