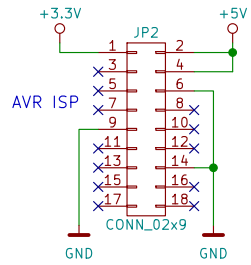
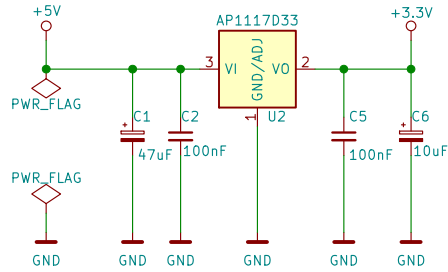


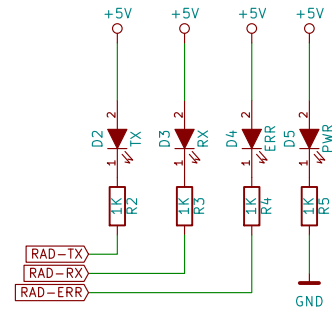
RPi GPIO Compatible bus



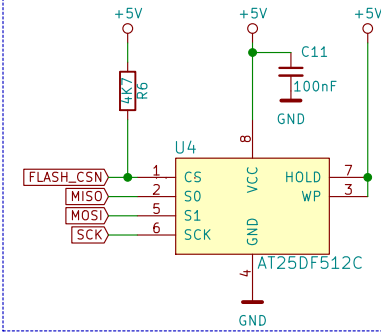
Power Supply



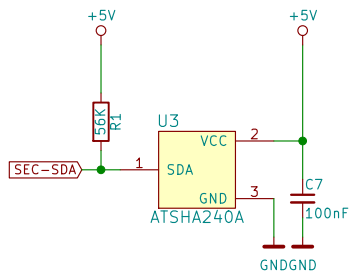
Indication LED's



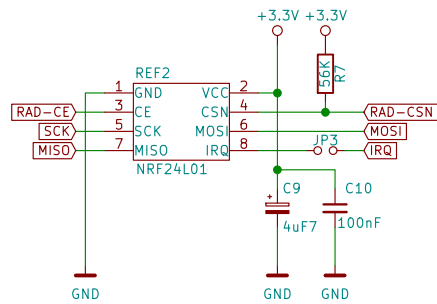
External memory



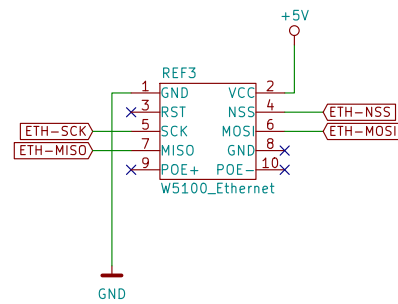
Authentication



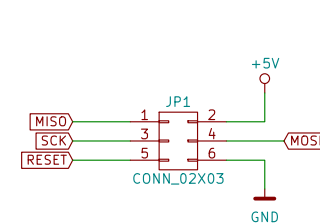
NRF24L01 Radio Module



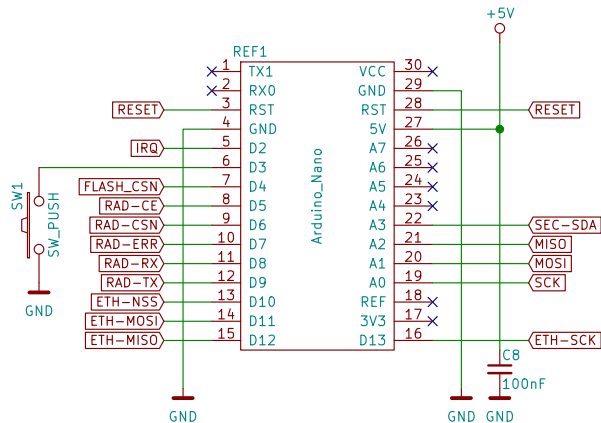
Ethernet shield



AVR ISP



Arduino Nano



Pin_Headers:Pin_Header_Straight_2x03

Gateway RPi form-factor Standard W5100 module

Licensed under CERN OHL V1.2
Copyright ©2016 Ralph Bisschops

Ralph Bisschops

Project:	MySensors Boards			
Author:	R. Bisschops	Size:	A4	
Date:	2016-03-03	Id:	1/1	Sheet: /
Revision:	0.8	File:	Gateway Std W5100 RPi form-factor v0.8.sch	