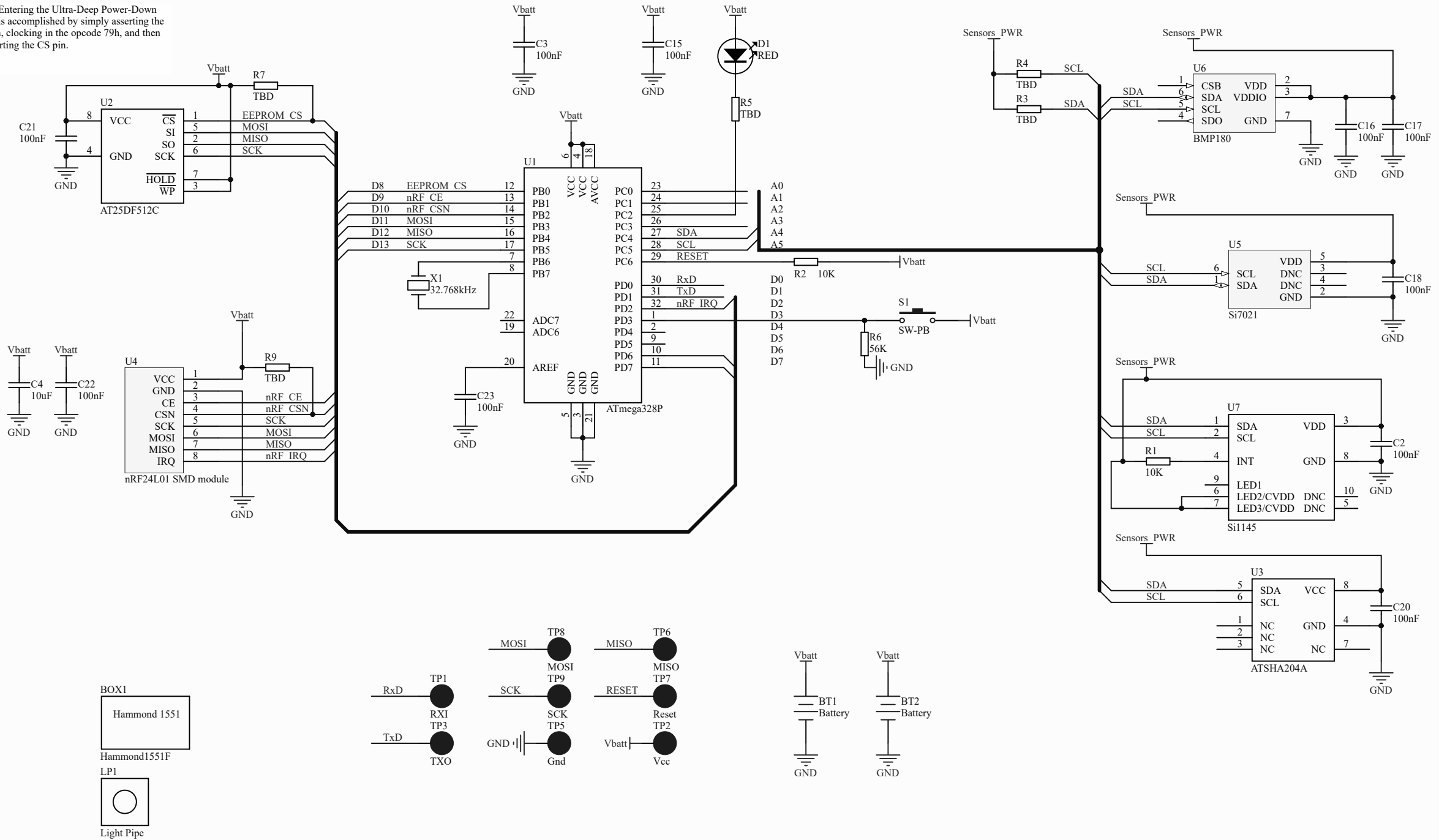


Note: Entering the Ultra-Deep Power-Down mode is accomplished by simply asserting the CS pin, clocking in the opcode 79h, and then deasserting the CS pin.



Title		
<b>RFSensor</b>		
Size	Number	Revision
A3		<b>Rev. 1.1</b>
Date:	01-06-2016	Sheet 1 of 1
File:	E:\newCloud\...RFSensor.SchDoc	Drawn By: Jonas Bo Jalling