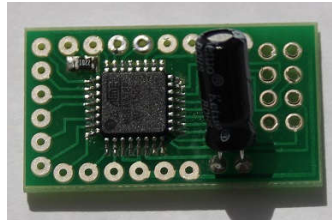


MySensor small PCB board MD-MS

Revision 1 — 16.04.2015

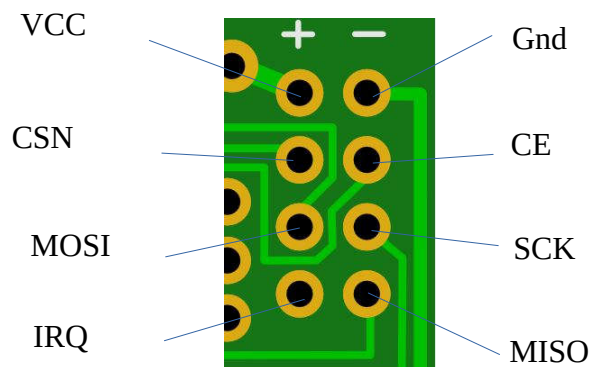
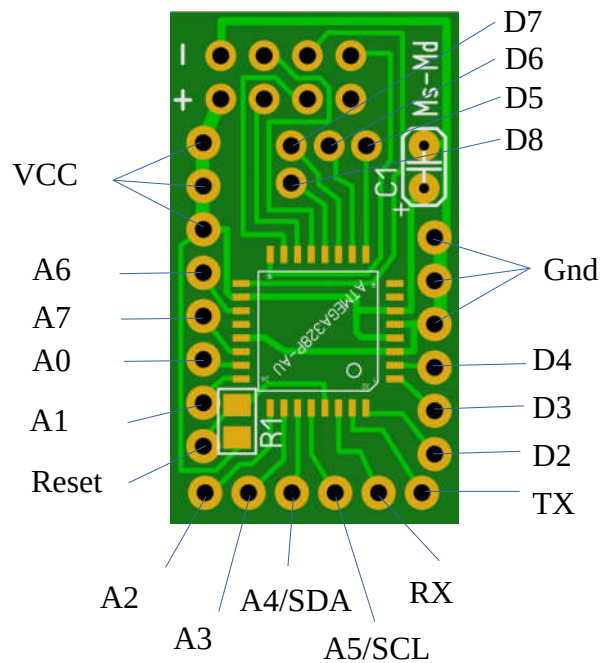


Components:

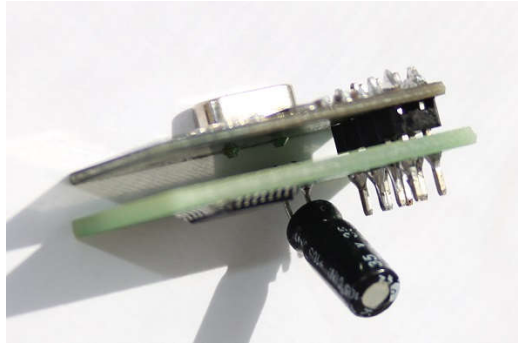
Chip ATmega328P QFP32

Capacitor 4,7mf

Resistor SMD 0805 10k



NRF24L01+ inserted into MD-MS after the firmware boot loader



Assembly

1. Solder processor
2. Solder the resistor
3. Write boot loader
4. Solder the wires to the contacts D5-D8
5. Solder the remaining wires (You can later, but uncomfortable)
6. Solder NRF24L01+
7. Solder the capacitor
8. Write Sketch

Write boot can be after assembly, but there may be conflicts SPI NRF24L01+

If you do not cut the connectors NRF24L01 + then they can connect to flash

Warning For Reset working. Between the programmer and the board Reset must be 0.1uf capacitor