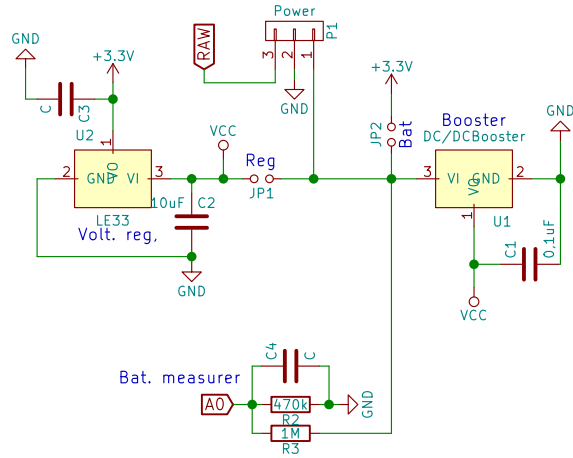
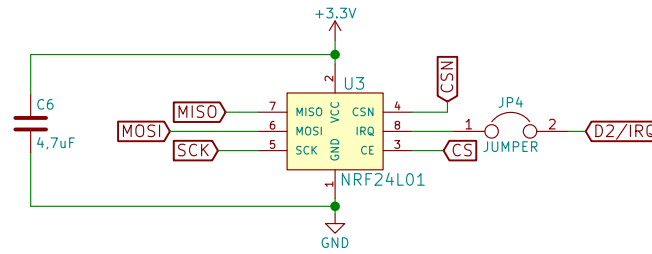


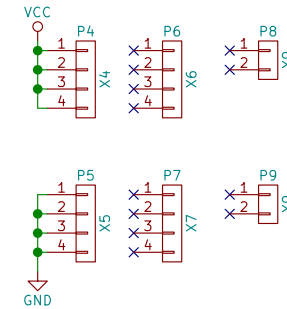
Power



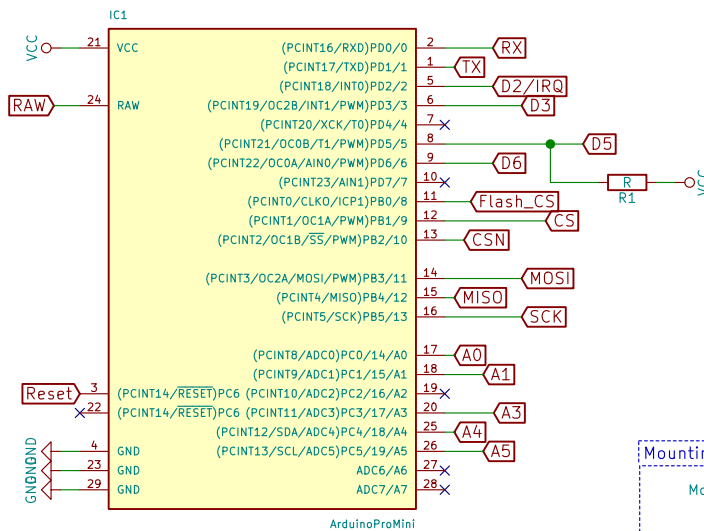
Nrf24l01+ Radio Module



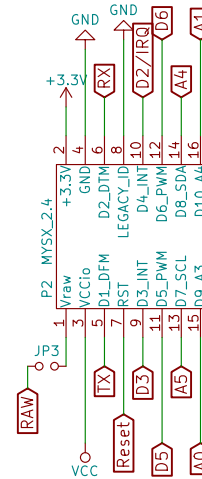
Extra (Prototyping)



Arduino Pro Mini 3.3v

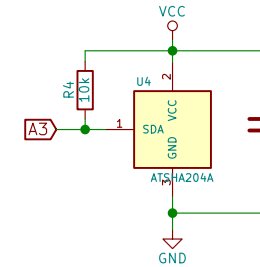


MysX 2.4

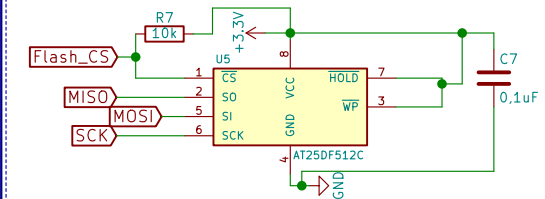


Optional functions for advanced users

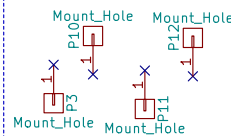
Signing - OPTIONAL Adv function



Ext Flash - OPTIONAL/Adv function



Mounting Holes



License: CERN Open Hardware License
By Andreas Sundberg
MySensors.org, Openhardware.io

Sheet: /
File: EasyPCB_10_nrf24l01p.sch

Title: EASY/Newbie PCB Nrf24 edition

Size: A4 Date: 2019-05-28

KiCad E.D.A. kicad 5.0.2-bee76a070ubuntu18.04.1

Rev: Rev 10.1 (Nrf24l01+ ed)
Id: 1/1